

2.4

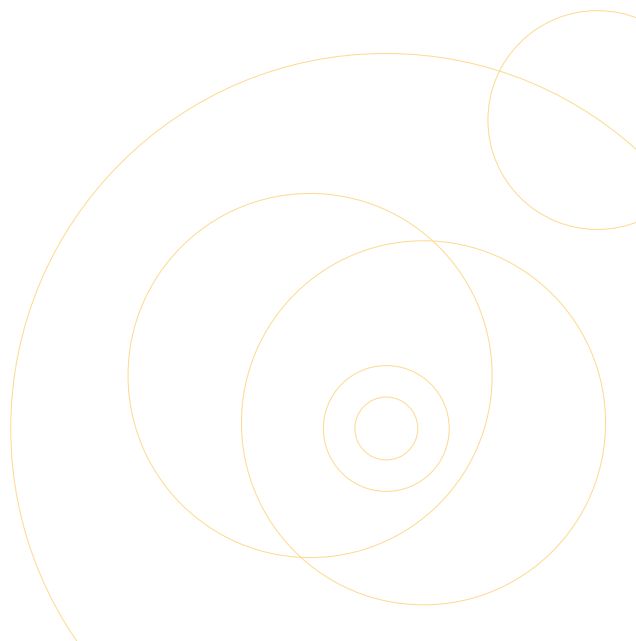
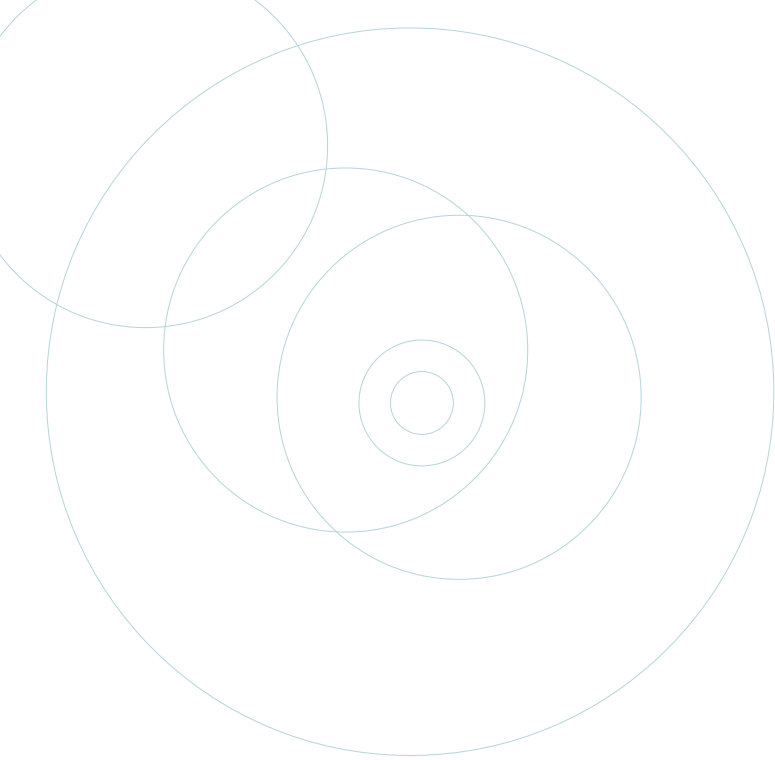
FORETS À PLAQUETTES WISSELPLAATBOREN



STEMATOOLS

QUALITY TOOLS FOR PROFESSIONALS

 PART OF BAUCOTECH HOLDING
BAUCOTECH



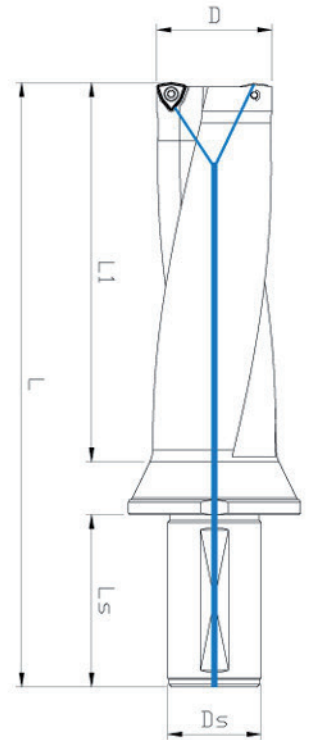
INDEX

FORET A PLAQUETTES WCMX TYPE 3D INDEXABLE DRILL WCMX TYPE 3D	4
FORET A PLAQUETTES WCMX TYPE 3D - TYPE CARTOUCHES INDEXABLE DRILL WCMX TYPE 3D - CARTRIDGE TYPE	5
FORET A PLAQUETTES SPMX TYPE 3D INDEXABLE DRILL SPMX TYPE 3D	6
FORET A PLAQUETTES SPMX TYPE 4D INDEXABLE DRILL SPMX TYPE 4D	7
FORET A PLAQUETTES SPMX TYPE 3D - TYPE CARTOUCHES INDEXABLE DRILL SPMX TYPE 3D - CARTRIDGE TYPE	8
FORET A PLAQUETTES SPMX TYPE 4D - TYPE CARTOUCHES INDEXABLE DRILL SPMX TYPE 3D - CARTRIDGE TYPE	9
ENERGIE EXIGEE / AVANCE ET VITESSE RECOMMANDEES POWER REQUIREMENT / RECOMMENDED FEED AND SPEED FOR DRILLING	10
FORET A PLAQUETTES 5D + FORET PILOTE DRILL WITH HEAD POINT 5D	11
FORET A PLAQUETTES 8D + FORET PILOTE DRILL WITH HEAD POINT 8D	12
FORET A PLAQUETTES 5D + FORET PILOTE - TYPE CARTOUCHES / FORET A PLAQUETTES 8D + FORET PILOTE - TYPE CARTOUCHES DRILL WITH HEAD POINT 5D - CARTRIFGE TYPE / DRILL WITH HEAD POINT 8D - CARTRIFGE TYPE	13
FORET TREPAN / TREAPANNING DRILL	14
FORET TYPE MODULAIRE / MODULAR DRILL TYPE	15-17
FORET POUR INDUSTRIE PETROLIERE / DRILL FOR OIL INDUSTRY	18
FORET POUR INDUSTRIE PETROLIERE - CARTOUCHES / FORET POUR INDUSTRIE PETROLIERE - BAGUE DE GUIDAGE / FORET POUR INDUSTRIE PETROLIERE - FORET PILOTE DRILL FOR OIL INDUSTRY - CARTRIDGE / DRILL FOR OIL INDUSTRY - DRIVE RING / DRILL FOR OIL INDUSTRY - PILOT DRILL	19
PORTE-FORET POUR INDUSTRIE PETROLIERE - QUEUE / PORTE-FORET POUR INDUSTRIE PETROLIERE - RALLONGE DRILL FOR OIL INDUSTRY - SHANK / DRILL FOR OIL INDUSTRY - EXTENSION	20

FORET A PLAQUETTES WCMX TYPE 3D

INDEXABLE DRILL WCMX TYPE 3D

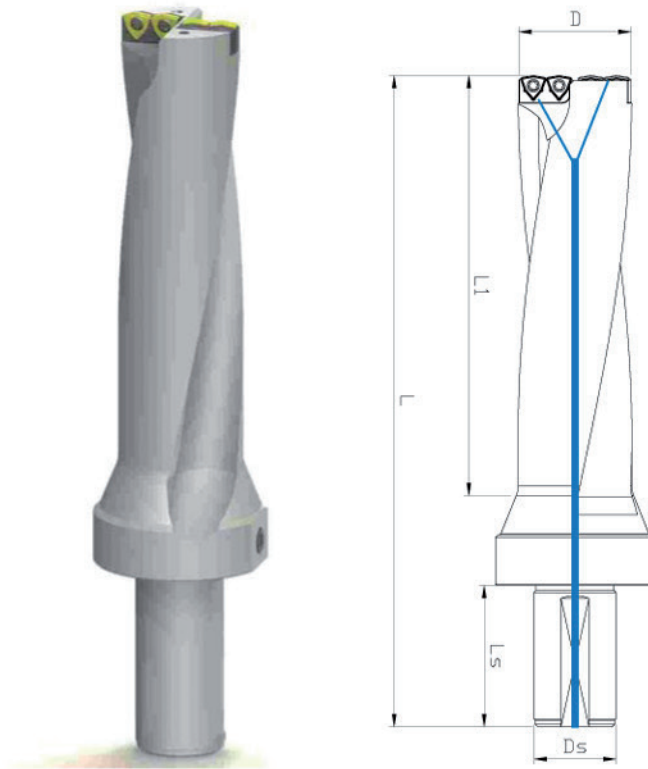
ORDER CODE	REF. PALBIT	D	L1	L	Ds	Ls	B	INSERT	SCREW	DRIVER	STOCK
214034600	TDS 20440130-3D	13.0	44	121	20	50	UM-1/8	WC..03T104	S-18045	XT06	
214034700	TDS 20450135-3D	13.5	45	122	20	50	UM-1/8	WC..03T104	S-18045	XT06	
214034800	TDS 20470140-3D	14.0	47	124	20	50	UM-1/8	WC..03T104	S-18045	XT06	
214034900	TDS 20480145-3D	14.5	48	125	20	50	UM-1/8	WC..03T104	S-18045	XT06	
214035000	TDS 20500150-3D	15.0	50	127	20	50	UM-1/8	WC..03T104	S-18045	XT06	
214035100	TDS 20510155-3D	15.5	51	128	20	50	UM-1/8	WC..03T104	S-18045	XT06	
214035200	TDS 20530160-3D	16.0	53	130	20	50	UM-1/8	WC..030204	S-22045	XT06	
214035300	TDS 20540165-3D	16.5	54	131	20	50	UM-1/8	WC..030204	S-22045	XT06	
214035400	TDS 20560170-3D	17.0	56	133	20	50	UM-1/8	WC..030204	S-22045	XT06	
214035500	TDS 20570175-3D	17.5	57	134	20	50	UM-1/8	WC..030204	S-22045	XT06	
214035600	TDS 20590180-3D	18.0	59	136	20	50	UM-1/8	WC..030204	S-22045	XT06	⊗
214035700	TDS 20600185-3D	18.5	60	137	20	50	UM-1/8	WC..030204	S-22045	XT06	⊗
214035800	TDS 20620190-3D	19.0	62	139	20	50	UM-1/8	WC..030204	S-22045	XT06	⊗
214035900	TDS 20610195-3D	19.5	61	140	20	50	UM-1/8	WC..030204	S-22045	XT06	
214036000	TDS 20650200-3D	20.0	65	142	20	50	UM-1/8	WC..030204	S-22045	XT06	⊗
214036100	TDS 25660205-3D	20.5	66	143	25	60	UM-1/8	WC..040208	S-25055	XT08	
214036200	TDS 25680210-3D	21.0	68	155	25	60	UM-1/8	WC..040208	S-25055	XT08	⊗
214036300	TDS 25690215-3D	21.5	69	156	25	60	UM-1/8	WC..040208	S-25055	XT08	
214036400	TDS 25710220-3D	22.0	71	158	25	60	UM-1/8	WC..040208	S-25055	XT08	⊗
214036500	TDS 25720225-3D	22.5	72	159	25	60	UM-1/8	WC..040208	S-25055	XT08	
214036600	TDS 25740230-3D	23.0	74	161	25	60	UM-1/8	WC..040208	S-25055	XT08	⊗
214036700	TDS 25750235-3D	23.5	75	162	25	60	UM-1/8	WC..040208	S-25055	XT08	
214036800	TDS 25770240-3D	24.0	77	164	25	60	UM-1/8	WC..040208	S-25055	XT08	⊗
214036900	TDS 25770245-3D	24.5	78	165	25	60	UM-1/8	WC..040208	S-25055	XT08	
214037000	TDS 25800250-3D	25.0	80	167	25	60	UM-1/8	WC..040208	S-25055	XT08	⊗
214037100	TDS 25810255-3D	25.5	81	168	25	60	UM-1/8	WC..040208	S-25055	XT08	
214037200	TDS 32830260-3D	26.0	83	183	32	70	UM-1/4	WC..050308	S-30070	XT08	⊗
214037300	TDS 32840265-3D	26.5	84	184	32	70	UM-1/4	WC..050308	S-30070	XT08	
214037400	TDS 32860270-3D	27.0	86	186	32	70	UM-1/4	WC..050308	S-30070	XT08	⊗
214037500	TDS 32870275-3D	27.5	87	187	32	70	UM-1/4	WC..050308	S-30070	XT08	
214037600	TDS 32890280-3D	28.0	89	189	32	70	UM-1/4	WC..050308	S-30070	XT08	⊗
214037700	TDS 32900285-3D	28.5	90	190	32	70	UM-1/4	WC..050308	S-30070	XT08	
214037800	TDS 32920290-3D	29.0	92	192	32	70	UM-1/4	WC..050308	S-30070	XT08	⊗
214037900	TDS 32930295-3D	29.5	93	191	32	70	UM-1/4	WC..050308	S-30070	XT08	
214038000	TDS 32950300-3D	30.0	95	195	32	70	UM-1/4	WC..050308	S-30070	XT08	⊗
214038100	TDS 32980310-3D	31.0	98	198	32	70	UM-1/4	WC..06T308	S-35090	XT15	⊗
214038200	TDS 32101320-3D	32.0	101	201	32	70	UM-1/4	WC..06T308	S-35090	XT15	⊗
214038300	TDS 32104330-3D	33.0	104	204	32	70	UM-1/4	WC..06T308	S-35090	XT15	⊗
214038400	TDS 32107340-3D	34.0	107	207	32	70	UM-1/4	WC..06T308	S-35090	XT15	⊗
214038500	TDS 32110350-3D	35.0	110	210	32	70	UM-1/4	WC..06T308	S-35090	XT15	⊗
214038600	TDS 32113360-3D	36.0	113	213	32	70	UM-1/4	WC..06T308	S-35090	XT15	⊗
214038700	TDS 32116370-3D	37.0	116	216	32	70	UM-1/4	WC..06T308	S-35090	XT15	
214038800	TDS 32119380-3D	38.0	119	219	32	70	UM-1/4	WC..06T308	S-35090	XT15	
214038900	TDS 32122390-3D	39.0	122	222	32	70	UM-1/4	WC..06T308	S-35090	XT15	
214039000	TDS 32125400-3D	40.0	125	225	32	70	UM-1/4	WC..06T308	S-35090	XT15	
214039100	TDS 32128410-3D	41.0	128	228	32	70	UM-1/4	WC..06T308	S-35090	XT15	
214039200	TDS 40131420-3D	42.0	131	241	40	80	UM-1/4	WC..080408	S-140110	XT15	
214039300	TDS 40134430-3D	43.0	134	244	40	80	UM-1/4	WC..080408	S-140110	XT15	
214039400	TDS 40137440-3D	44.0	137	247	40	80	UM-1/4	WC..080408	S-140110	XT15	
214039500	TDS 40140450-3D	45.0	140	250	40	80	UM-1/4	WC..080408	S-140110	XT15	
214039600	TDS 40143460-3D	46.0	143	253	40	80	UM-1/4	WC..080408	S-140110	XT15	
214039700	TDS 40146470-3D	47.0	146	256	40	80	UM-1/4	WC..080408	S-140110	XT15	
214039800	TDS 40149480-3D	48.0	149	259	40	80	UM-1/4	WC..080408	S-140110	XT15	
214039900	TDS 40152490-3D	49.0	152	262	40	80	UM-1/4	WC..080408	S-140110	XT15	
214040000	TDS 40155500-3D	50.0	155	265	40	80	UM-1/4	WC..080408	S-140110	XT15	
214040100	TDS 40158510-3D	51.0	158	268	40	80	UM-1/4	WC..080408	S-140110	XT15	
214040200	TDS 40161520-3D	52.0	161	271	40	80	UM-1/4	WC..080408	S-140110	XT15	
214040300	TDS 40164530-3D	53.0	164	274	40	80	UM-1/4	WC..080408	S-140110	XT15	
214040400	TDS 40167540-3D	54.0	167	277	40	80	UM-1/4	WC..080408	S-140110	XT15	
214040500	TDS 40170550-3D	55.0	170	280	40	80	UM-1/4	WC..080408	S-140110	XT15	
214040600	TDS 40173560-3D	56.0	173	283	40	80	UM-1/4	WC..080408	S-140110	XT15	
214040700	TDS 40176570-3D	57.0	176	286	40	80	UM-1/4	WC..080408	S-140110	XT15	
214040800	TDS 40179580-3D	58.0	179	289	40	80	UM-1/4	WC..080408	S-140110	XT15	



FORET A PLAQUETTES WCMX TYPE 3D – TYPE CARTOUCHES

INDEXABLE DRILL WCMX TYPE 3D - CARTRIDGE TYPE

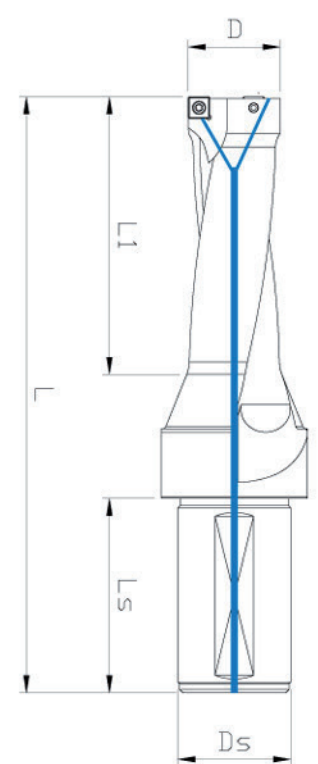
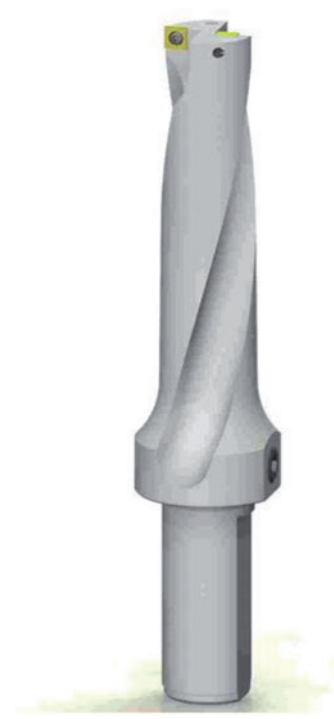
ORDER CODE	REF. PALBIT	D	L1	L	Ds	Ls	B	INSERT	SCREW	DRIVER	CARTRIDGE	STOCK
214040900	TDC 40195590-3D	60~65	195	315	40	80	UM-1/4	WC..06T308	S-35090	XT15	CWC 5965 I/O	Ⓢ
214041000	TDC 40210650-3D	65~70	210	330	40	80	UM-1/4	WC..06T308	S-35090	XT15	CWC 080085 I/O	Ⓢ
214041100	TDC 40225700-3D	70~75	225	345	40	80	UM-1/4	WC..06T308	S-35090	XT15	CWC 085090 I/O	Ⓢ
214041200	TDC 40240750-3D	75~80	240	360	40	80	UM-1/4	WC..06T308	S-35090	XT15	CWC 090095 I/O	Ⓢ



FORET A PLAQUETTES SPMX TYPE 3D

INDEXABLE DRILL SPMX TYPE 3D

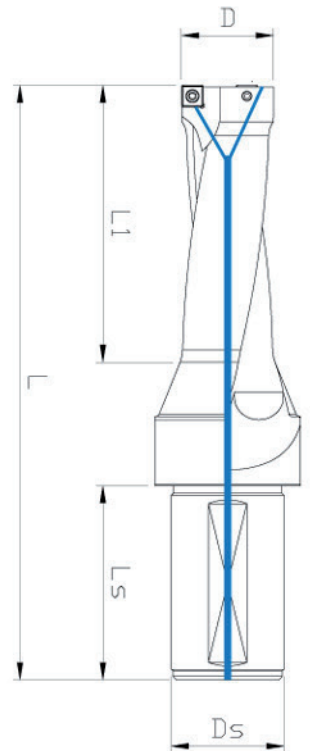
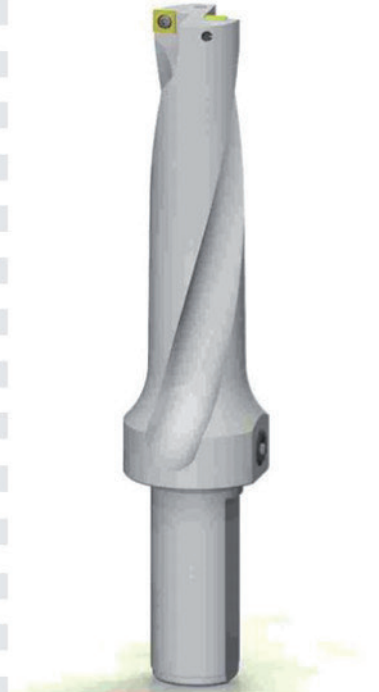
ORDER CODE	REF. PALBIT	D	L1	L	Ds	Ls	B	INSERT	SCREW	DRIVER	STOCK
214041300	SCS 20410125-3D	12.5	41	118	20	50	UM-1/8	SPMX-050204	S-20045	XT06	
214041400	SCS 20420130-3D	13.0	42	119	20	50	UM-1/8	SPMX-050204	S-20045	XT06	
214041500	SCS 20440135-3D	13.5	44	121	20	50	UM-1/8	SPMX-050204	S-20045	XT06	
214041600	SCS 20450140-3D	14.0	45	122	20	50	UM-1/8	SPMX-050204	S-20045	XT06	
214041700	SCS 20470145-3D	14.5	47	124	20	50	UM-1/8	SPMX-050204	S-20045	XT06	
214041800	SCS 20480150-3D	15.0	48	125	20	50	UM-1/8	SPMX-050204	S-20045	XT06	
214041900	SCS 25500155-3D	15.5	50	136	25	56	UM-1/8	SPMX-060204	S-22052	XT06	
214042000	SCS 25510160-3D	16.0	51	137	25	56	UM-1/8	SPMX-060204	S-22052	XT06	
214042100	SCS 25530165-3D	16.5	53	139	25	56	UM-1/8	SPMX-060204	S-22052	XT06	
214042200	SCS 25540170-3D	17.0	54	140	25	56	UM-1/8	SPMX-060204	S-22052	XT06	
214042300	SCS 25560175-3D	17.5	56	142	25	56	UM-1/8	SPMX-060204	S-22052	XT06	
214042400	SCS 25570180-3D	18.0	57	143	25	56	UM-1/8	SPMX-060204	S-22052	XT06	⊗
214042500	SCS 25590185-3D	18.5	59	145	25	56	UM-1/8	SPMX-060204	S-22052	XT06	⊗
214042600	SCS 25500190-3D	19.0	60	146	25	56	UM-1/8	SPMX-060204	S-22052	XT06	⊗
214042700	SCS 15620195-3D	19.5	62	148	25	56	UM-1/8	SPMX-060204	S-22052	XT06	
214042800	SCS 25630200-3D	20.0	63	149	25	56	UM-1/8	SPMX-060204	S-22052	XT06	⊗
214042900	SCS 25650205-3D	20.5	65	151	25	56	UM-1/8	SPMX-060204	S-22052	XT06	
214043000	SCS 25660210-3D	21.0	66	152	25	56	UM-1/8	SPMX-060204	S-22052	XT06	⊗
214043100	SCS 25680215-3D	21.5	68	154	25	56	UM-1/8	SPMX-060204	S-22052	XT06	
214043200	SCS 32690220-3D	22.0	69	155	32	60	UM-1/4	SPMX-07T308	S-25065	XT08	⊗
214043300	SCS 32710225-3D	22.5	71	166	32	60	UM-1/4	SPMX-07T308	S-25065	XT08	
214043400	SCS 32720230-3D	23.0	72	167	32	60	UM-1/4	SPMX-07T308	S-25065	XT08	⊗
214043500	SCS 32740235-3D	23.5	74	169	32	60	UM-1/4	SPMX-07T308	S-25065	XT08	
214043600	SCS 32750240-3D	24.0	75	170	32	60	UM-1/4	SPMX-07T308	S-25065	XT08	⊗
214043700	SCS 32770245-3D	24.5	77	172	32	60	UM-1/4	SPMX-07T308	S-25065	XT08	
214043800	SCS 32780250-3D	25.0	78	173	32	60	UM-1/4	SPMX-07T308	S-25065	XT08	⊗
214043900	SCS 32800255-3D	25.5	80	175	32	60	UM-1/4	SPMX-07T308	S-25065	XT08	
214044000	SCS 32810260-3D	26.0	81	176	32	60	UM-1/4	SPMX-07T308	S-25065	XT08	⊗
214044100	SCS 32830265-3D	26.5	83	178	32	60	UM-1/4	SPMX-07T308	S-25065	XT08	
214044200	SCS 32840270-3D	27.0	84	179	32	60	UM-1/4	SPMX-07T308	S-25065	XT08	⊗
214044400	SCS 32860275-3D	27.5	86	181	32	60	UM-1/4	SPMX-07T308	S-25065	XT08	
214044500	SCS 32870280-3D	28.0	87	182	32	60	UM-1/4	SPMX-090408	S-35090	XT15	⊗
214044600	SCS 32890285-3D	28.5	89	184	32	60	UM-1/4	SPMX-090408	S-35090	XT15	
214044700	SCS 32900290-3D	29.0	90	185	32	60	UM-1/4	SPMX-090408	S-35090	XT15	⊗
214044800	SCS 32940295-3D	29.5	94	189	32	60	UM-1/4	SPMX-090408	S-35090	XT15	
214044900	SCS 32950300-3D	30.0	95	190	32	60	UM-1/4	SPMX-090408	S-35090	XT15	⊗
214045000	SCS 32980310-3D	31.0	98	193	32	60	UM-1/4	SPMX-090408	S-35090	XT15	⊗
214045100	SCS 32101320-3D	32.0	101	196	32	60	UM-1/4	SPMX-090408	S-35090	XT15	⊗
214045200	SCS 32104330-3D	33.0	104	199	32	60	UM-1/4	SPMX-090408	S-35090	XT15	⊗
214045300	SCS 40107340-3D	34.0	107	202	40	70	UM-1/4	SPMX-110408	S-40100	XT15	⊗
214045400	SCS 40110350-3D	35.0	110	205	40	70	UM-1/4	SPMX-110408	S-40100	XT15	⊗
214045500	SCS 40113360-3D	36.0	113	208	40	70	UM-1/4	SPMX-110408	S-40100	XT15	⊗
214045600	SCS 40116370-3D	37.0	116	226	40	70	UM-1/4	SPMX-110408	S-40100	XT15	
214045700	SCS 40119380-3D	38.0	119	229	40	70	UM-1/4	SPMX-110408	S-40100	XT15	
214045800	SCS 40122390-3D	39.0	122	232	40	70	UM-1/4	SPMX-110408	S-40100	XT15	
214045900	SCS 40125400-3D	40.0	125	235	40	70	UM-1/4	SPMX-110408	S-40100	XT15	
214046000	SCS 40128410-3D	41.0	128	238	40	70	UM-1/4	SPMX-110408	S-40100	XT15	
214046100	SCS 40131420-3D	42.0	131	241	40	70	UM-1/4	SPMX-140512	S-50125	XT20	
214046200	SCS 40134430-3D	43.0	134	244	40	70	UM-1/4	SPMX-140512	S-50125	XT20	
214046300	SCS 40137440-3D	44.0	137	247	40	70	UM-1/4	SPMX-140512	S-50125	XT20	
214046400	SCS 40140450-3D	45.0	140	250	40	70	UM-1/4	SPMX-140512	S-50125	XT20	
214046500	SCS 40143460-3D	46.0	143	253	40	70	UM-1/4	SPMX-140512	S-50125	XT20	
214046600	SCS 40146470-3D	47.0	146	256	40	70	UM-1/4	SPMX-140512	S-50125	XT20	
214046700	SCS 40149480-3D	48.0	149	259	40	70	UM-1/4	SPMX-140512	S-50125	XT20	
214046800	SCS 40152490-3D	49.0	152	262	40	70	UM-1/4	SPMX-140512	S-50125	XT20	
214046900	SCS 40155500-3D	50.0	155	265	40	70	UM-1/4	SPMX-140512	S-50125	XT20	



FORET A PLAQUETTES SPMX TYPE 4D

INDEXABLE DRILL SPMX TYPE 4D

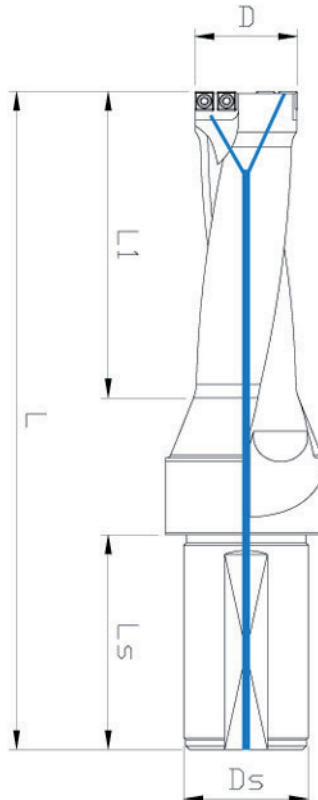
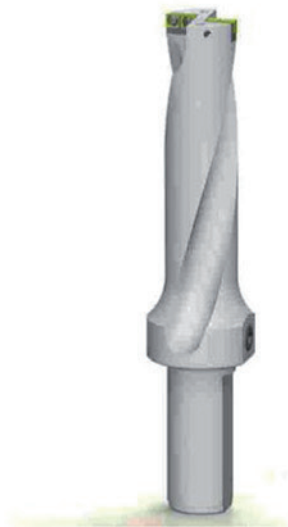
ORDER CODE	REF. PALBIT	D	L1	L	Ds	Ls	B	INSERT	DRIVER	STOCK
214047000	SCS 20530125-4D	12.5	53	130	20	50	UM-1/8	SPMX-050204	XT06	
214047100	SCS 20550130-4D	13.0	55	132	20	50	UM-1/8	SPMX-050204	XT06	
214047200	SCS 20570135-4D	13.5	57	134	20	50	UM-1/8	SPMX-050204	XT06	
214047300	SCS 20590140-4D	14.0	59	136	20	50	UM-1/8	SPMX-050204	XT06	
214047400	SCS 20610145-4D	14.5	61	138	20	50	UM-1/8	SPMX-050204	XT06	
214047500	SCS 20630150-4D	15.0	63	140	20	50	UM-1/8	SPMX-050204	XT06	
214047600	SCS 25650155-4D	15.5	65	151	25	56	UM-1/8	SPMX-060204	XT06	
214047700	SCS 25670160-4D	16.0	67	153	25	56	UM-1/8	SPMX-060204	XT06	
214047800	SCS 25690165-4D	16.5	69	155	25	56	UM-1/8	SPMX-060204	XT06	
214047900	SCS 25710170-4D	17.0	71	157	25	56	UM-1/8	SPMX-060204	XT06	
214048000	SCS 25730175-4D	17.5	73	159	25	56	UM-1/8	SPMX-060204	XT06	
214048100	SCS 25750180-4D	18.0	75	161	25	56	UM-1/8	SPMX-060204	XT06	⊗
214048200	SCS 25770185-4D	18.5	77	163	25	56	UM-1/8	SPMX-060204	XT06	
214048300	SCS 25790190-4D	19.0	79	165	25	56	UM-1/8	SPMX-060204	XT06	⊗
214048400	SCS 25810195-4D	19.5	81	167	25	56	UM-1/8	SPMX-060204	XT06	
214048500	SCS 25830200-4D	20.0	83	169	25	56	UM-1/8	SPMX-060204	XT06	⊗
214048600	SCS 25850205-4D	20.5	85	171	25	56	UM-1/8	SPMX-060204	XT06	
214048700	SCS 25870210-4D	21.0	87	173	25	56	UM-1/8	SPMX-060204	XT06	⊗
214048800	SCS 25890215-4D	21.5	89	175	25	56	UM-1/8	SPMX-060204	XT06	
214048900	SCS 32910220-4D	22.0	91	177	32	60	UM-1/4	SPMX-07T308	XT08	⊗
214049000	SCS 32930225-4D	22.5	93	188	32	60	UM-1/4	SPMX-07T308	XT08	
214049100	SCS 32950230-4D	23.0	95	190	32	60	UM-1/4	SPMX-07T308	XT08	⊗
214049200	SCS 32970235-4D	23.5	97	192	32	60	UM-1/4	SPMX-07T308	XT08	
214049300	SCS 32990240-4D	24.0	99	194	32	60	UM-1/4	SPMX-07T308	XT08	⊗
214049400	SCS 32101245-4D	24.5	101	196	32	60	UM-1/4	SPMX-07T308	XT08	
214049500	SCS 32103250-4D	25.0	103	198	32	60	UM-1/4	SPMX-07T308	XT08	⊗
214049600	SCS 32105255-4D	25.5	105	200	32	60	UM-1/4	SPMX-07T308	XT08	
214049700	SCS 32107260-4D	26.0	107	202	32	60	UM-1/4	SPMX-07T308	XT08	⊗
214049800	SCS 32109265-4D	26.5	109	204	32	60	UM-1/4	SPMX-07T308	XT08	
214049900	SCS 32111270-4D	27.0	111	206	32	60	UM-1/4	SPMX-07T308	XT08	⊗
214050000	SCS 32113275-4D	27.5	113	208	32	60	UM-1/4	SPMX-07T308	XT08	
214050100	SCS 32115280-4D	28.0	115	210	32	60	UM-1/4	SPMX-090408	XT15	⊗
214050200	SCS 32117285-4D	28.5	117	212	32	60	UM-1/4	SPMX-090408	XT15	
214050300	SCS 32119290-4D	29.0	119	214	32	60	UM-1/4	SPMX-090408	XT15	⊗
214050400	SCS 32123295-4D	29.5	123	218	32	60	UM-1/4	SPMX-090408	XT15	
214050500	SCS 32125300-4D	30.0	125	220	32	60	UM-1/4	SPMX-090408	XT15	⊗
214050600	SCS 32129310-4D	31.0	129	224	32	60	UM-1/4	SPMX-090408	XT15	⊗
214050700	SCS 32133320-4D	32.0	133	228	32	60	UM-1/4	SPMX-090408	XT15	⊗
214050800	SCS 32137330-4D	33.0	137	232	32	60	UM-1/4	SPMX-090408	XT15	⊗
214050900	SCS 40141340-4D	34.0	141	236	40	70	UM-1/4	SPMX-110408	XT15	⊗
214051000	SCS 40145350-4D	35.0	145	240	40	70	UM-1/4	SPMX-110408	XT15	⊗
214051100	SCS 40149360-4D	36.0	149	244	40	70	UM-1/4	SPMX-110408	XT15	⊗
214051200	SCS 40153370-4D	37.0	153	263	40	70	UM-1/4	SPMX-110408	XT15	
214051300	SCS 40157380-4D	38.0	157	267	40	70	UM-1/4	SPMX-110408	XT15	
214051400	SCS 40161390-4D	39.0	161	271	40	70	UM-1/4	SPMX-110408	XT15	
214051500	SCS 40165400-4D	40.0	165	275	40	70	UM-1/4	SPMX-110408	XT15	
214051600	SCS 40169410-4D	41.0	169	279	40	70	UM-1/4	SPMX-110408	XT15	
214051700	SCS 40173420-4D	42.0	173	283	40	70	UM-1/4	SPMX-140512	XT20	
214051800	SCS 40177430-4D	43.0	177	287	40	70	UM-1/4	SPMX-140512	XT20	
214051900	SCS 40181440-4D	44.0	181	291	40	70	UM-1/4	SPMX-140512	XT20	
214052000	SCS 40185450-4D	45.0	185	295	40	70	UM-1/4	SPMX-140512	XT20	
214052100	SCS 40189460-4D	46.0	189	299	40	70	UM-1/4	SPMX-140512	XT20	
214052200	SCS 40193470-4D	47.0	193	303	40	70	UM-1/4	SPMX-140512	XT20	
214052300	SCS 40197480-4D	48.0	197	307	40	70	UM-1/4	SPMX-140512	XT20	
214052400	SCS 40201490-4D	49.0	201	311	40	70	UM-1/4	SPMX-140512	XT20	
214052500	SCS 40205500-4D	50.0	205	315	40	70	UM-1/4	SPMX-140512	XT20	



FORET A PLAQUETTES SPMX TYPE 3D – TYPE CARTOUCHES

INDEXABLE DRILL SPMX TYPE 3D - CARTRIDGE TYPE

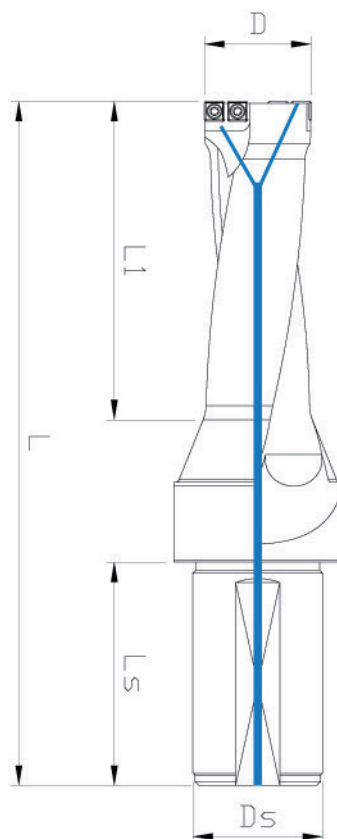
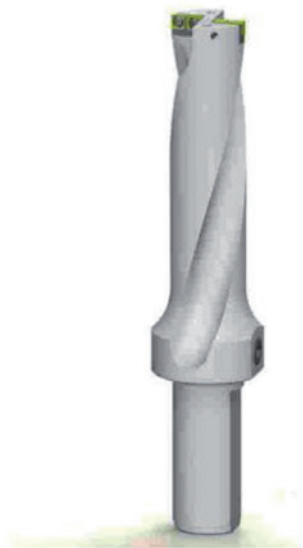
ORDER CODE	REF. PALBIT	D	L1	L	Ds	Ls	B	INNER	OUTER	INSERT	SCREW	DRIVER	STOCK
214052600	SCC 40165500-3D	50-51	165	275	40	70	UM-1/4	CISP 5055	COSP 5051	SPMX-090408DG	S-35090	XT15	
214052700	SCC 40165510-3D	51-52	165	275	40	70	UM-1/4	CISP 5055	COSP 5152	SPMX-090408DG	S-35090	XT15	
214052800	SCC 40165520-3D	52-53	165	275	40	70	UM-1/4	CISP 5055	COSP 5253	SPMX-090408DG	S-35090	XT15	
214052900	SCC 40165530-3D	53-54	165	275	40	70	UM-1/4	CISP 5055	COSP 5354	SPMX-090408DG	S-35090	XT15	
214053000	SCC 40165540-3D	54-55	165	275	40	70	UM-1/4	CISP 5055	COSP 5455	SPMX-090408DG	S-35090	XT15	
214053100	SCC 40180550-3D	55-56	180	290	40	70	UM-1/4	CISP 5560	COSP 5556	SPMX-090408DG	S-35090	XT15	
214053200	SCC 40180560-3D	56-57	180	290	40	70	UM-1/4	CISP 5560	COSP 5657	SPMX-090408DG	S-35090	XT15	
214053300	SCC 40180570-3D	57-58	180	290	40	70	UM-1/4	CISP 5560	COSP 5758	SPMX-090408DG	S-35090	XT15	
214053400	SCC 40180580-3D	58-59	180	290	40	70	UM-1/4	CISP 5560	COSP 5859	SPMX-090408DG	S-35090	XT15	
214053500	SCC 40180590-3D	59-60	180	290	40	70	UM-1/4	CISP 5560	COSP 5960	SPMX-090408DG	S-35090	XT15	
214053600	SCC 40195600-3D	60-61	195	305	40	70	UM-1/4	CISP 6065	COSP 6061	SPMX-110408DG	S-40100	XT15	
214053700	SCC 40195610-3D	61-62	195	305	40	70	UM-1/4	CISP 6065	COSP 6162	SPMX-110408DG	S-40100	XT15	
214053800	SCC 40195620-3D	62-63	195	305	40	70	UM-1/4	CISP 6065	COSP 6263	SPMX-110408DG	S-40100	XT15	
214053900	SCC 40195630-3D	63-64	195	305	40	70	UM-1/4	CISP 6065	COSP 6364	SPMX-110408DG	S-40100	XT15	
214054000	SCC 40195640-3D	64-65	195	305	40	70	UM-1/4	CISP 6065	COSP 6465	SPMX-110408DG	S-40100	XT15	
214054100	SCC 40210650-3D	65-66	210	320	40	70	UM-1/4	CISP 6570	COSP 6566	SPMX-110408DG	S-40100	XT15	
214054200	SCC 40210660-3D	66-67	210	320	40	70	UM-1/4	CISP 6570	COSP 6667	SPMX-110408DG	S-40100	XT15	
214054300	SCC 40210670-3D	67-68	210	320	40	70	UM-1/4	CISP 6570	COSP 6768	SPMX-110408DG	S-40100	XT15	
214054400	SCC 40210680-3D	68-69	210	320	40	70	UM-1/4	CISP 6570	COSP 6869	SPMX-110408DG	S-40100	XT15	
214054500	SCC 40210690-3D	69-70	210	320	40	70	UM-1/4	CISP 6570	COSP 6970	SPMX-110408DG	S-40100	XT15	
214054600	SCC 40225700-3D	70-71	225	335	40	70	UM-1/4	CISP 7075	COSP 7071	SPMX-110408DG	S-40100	XT15	
214054700	SCC 40225710-3D	71-72	225	335	40	70	UM-1/4	CISP 7075	COSP 7172	SPMX-110408DG	S-40100	XT15	
214054800	SCC 40225720-3D	72-73	225	335	40	70	UM-1/4	CISP 7075	COSP 7273	SPMX-110408DG	S-40100	XT15	
214054900	SCC 40225730-3D	73-74	225	335	40	70	UM-1/4	CISP 7075	COSP 7374	SPMX-110408DG	S-40100	XT15	
214055000	SCC 40225740-3D	74-75	225	335	40	70	UM-1/4	CISP 7075	COSP 7475	SPMX-110408DG	S-40100	XT15	
214055100	SCC 40240750-3D	75-76	240	350	40	70	UM-1/4	CISP 7580	COSP 7576	SPMX-140512DG	S-50125	XT20	
214055200	SCC 40240760-3D	76-77	240	350	40	70	UM-1/4	CISP 7580	COSP 7677	SPMX-140512DG	S-50125	XT20	
214055300	SCC 40240770-3D	77-78	240	350	40	70	UM-1/4	CISP 7580	COSP 7778	SPMX-140512DG	S-50125	XT20	
214055400	SCC 40240780-3D	78-79	240	350	40	70	UM-1/4	CISP 7580	COSP 7879	SPMX-140512DG	S-50125	XT20	
214055500	SCC 40240790-3D	79-80	240	350	40	70	UM-1/4	CISP 7580	COSP 7980	SPMX-140512DG	S-50125	XT20	



FORET A PLAQUETTES SPMX TYPE 4D – TYPE CARTOUCHES

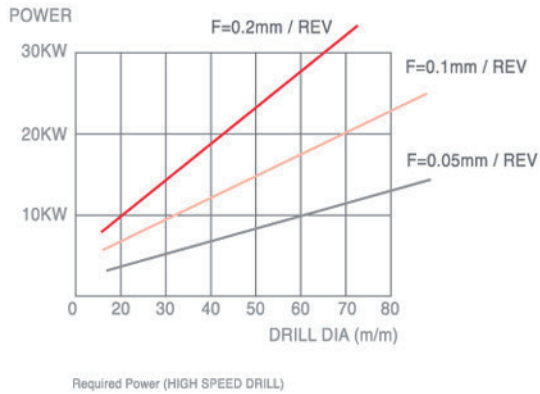
INDEXABLE DRILL SPMX TYPE 4D - CARTRIDGE TYPE

ORDER CODE	REF. PALBIT	D	L1	L	Ds	Ls	B	CARTRIDGE		INSERT	SCREW	DRIVER	STOCK
								INNER	OUTER				
214055600	SCC 40215500-4D	50-51	215	325	40	70	UM-1/4	CISP 5055	COSP 5051	SPMX-090408DG	S-35090	XT15	
214055700	SCC 40215510-4D	51-52	215	325	40	70	UM-1/4	CISP 5055	COSP 5152	SPMX-090408DG	S-35090	XT15	
214055800	SCC 40215520-4D	52-53	215	325	40	70	UM-1/4	CISP 5055	COSP 5253	SPMX-090408DG	S-35090	XT15	
214055900	SCC 40215530-4D	53-54	215	325	40	70	UM-1/4	CISP 5055	COSP 5354	SPMX-090408DG	S-35090	XT15	
214056000	SCC 40215540-4D	54-55	215	325	40	70	UM-1/4	CISP 5055	COSP 5455	SPMX-090408DG	S-35090	XT15	
214056100	SCC 40235550-4D	55-56	235	345	40	70	UM-1/4	CISP 5560	COSP 5556	SPMX-090408DG	S-35090	XT15	
214056200	SCC 40235560-4D	56-57	235	345	40	70	UM-1/4	CISP 5560	COSP 5657	SPMX-090408DG	S-35090	XT15	
214056300	SCC 40235570-4D	57-58	235	345	40	70	UM-1/4	CISP 5560	COSP 5758	SPMX-090408DG	S-35090	XT15	
214056400	SCC 40235580-4D	58-59	235	345	40	70	UM-1/4	CISP 5560	COSP 5859	SPMX-090408DG	S-35090	XT15	
214056500	SCC 40235590-4D	59-60	235	345	40	70	UM-1/4	CISP 5560	COSP 5960	SPMX-090408DG	S-35090	XT15	
214056600	SCC 40235600-4D	60-61	255	365	40	70	UM-1/4	CISP 6065	COSP 6061	SPMX-110408DG	S-40100	XT15	
214056700	SCC 40255610-4D	61-62	255	365	40	70	UM-1/4	CISP 6065	COSP 6162	SPMX-110408DG	S-40100	XT15	
214056800	SCC 40255620-4D	62-63	255	365	40	70	UM-1/4	CISP 6065	COSP 6263	SPMX-110408DG	S-40100	XT15	
214056900	SCC 40255630-4D	63-64	255	365	40	70	UM-1/4	CISP 6065	COSP 6364	SPMX-110408DG	S-40100	XT15	
214057000	SCC 40255640-4D	64-65	255	365	40	70	UM-1/4	CISP 6065	COSP 6465	SPMX-110408DG	S-40100	XT15	
214057100	SCC 40275650-4D	65-66	275	385	40	70	UM-1/4	CISP 6570	COSP 6566	SPMX-110408DG	S-40100	XT15	
214057200	SCC 40275660-4D	66-67	275	385	40	70	UM-1/4	CISP 6570	COSP 6667	SPMX-110408DG	S-40100	XT15	
214057300	SCC 40275670-4D	67-68	275	385	40	70	UM-1/4	CISP 6570	COSP 6768	SPMX-110408DG	S-40100	XT15	
214057400	SCC 40275680-4D	68-69	275	385	40	70	UM-1/4	CISP 6570	COSP 6869	SPMX-110408DG	S-40100	XT15	
214057500	SCC 40275690-4D	69-70	275	385	40	70	UM-1/4	CISP 6570	COSP 6970	SPMX-110408DG	S-40100	XT15	
214057600	SCC 40295700-4D	70-71	295	405	40	70	UM-1/4	CISP 7075	COSP 7071	SPMX-110408DG	S-40100	XT15	
214067700	SCC 40295710-4D	71-72	295	405	40	70	UM-1/4	CISP 7075	COSP 7172	SPMX-110408DG	S-40100	XT15	
214057800	SCC 40295720-4D	72-73	295	405	40	70	UM-1/4	CISP 7075	COSP 7273	SPMX-110408DG	S-40100	XT15	
214057900	SCC 40295730-4D	73-74	295	405	40	70	UM-1/4	CISP 7075	COSP 7374	SPMX-110408DG	S-40100	XT15	
214058000	SCC 40295740-4D	74-75	295	405	40	70	UM-1/4	CISP 7075	COSP 7475	SPMX-110408DG	S-40100	XT15	
214058100	SCC 40315750-4D	75-76	315	425	40	70	UM-1/4	CISP 7580	COSP 7576	SPMX-140512DG	S-50125	XT20	
214058200	SCC 40315760-4D	76-77	315	425	40	70	UM-1/4	CISP 7580	COSP 7677	SPMX-140512DG	S-50125	XT20	
214058300	SCC 40315770-4D	77-78	315	425	40	70	UM-1/4	CISP 7580	COSP 7778	SPMX-140512DG	S-50125	XT20	
214058400	SCC 40315780-4D	78-79	315	425	40	70	UM-1/4	CISP 7580	COSP 7879	SPMX-140512DG	S-50125	XT20	
214058500	SCC 40315790-4D	79-80	315	425	40	70	UM-1/4	CISP 7580	COSP 7980	SPMX-140512DG	S-50125	XT20	



ENERGIE EXIGEE

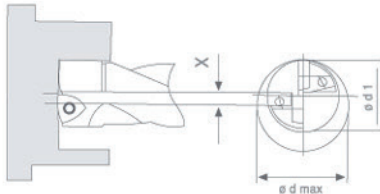
POWER REQUIREMENT



The chart relates to the drilling of steel at a cutting speed of 100 m/min.
 For cast iron materials the effective power requirement P_e is around 1/3 lower.
 Power requirements for other cutting speeds can be calculated proportionally, e.g.:

- $\Phi=40$ mm (Drill dia)
- $f=0.16$ mm (Feed)
- $v=180$ m/min (Cutting speed)
- $P_{e100}=8.3$ kw for $v_c = 180$ m/min
- $P_{e80}=1.8 \times 8.3 = 15$ kw for $v_c = 180$ m/min

k_w =Power requirement in kw'
 Φ =Drill diameter in mm
 f =Feed in mm/rev.
 k =Specific cutting force in N/mm^2



v =CuttingSpeed in m/min
 η =Machine efficiency

max. D = D + 2 x Adjustment

By offsetting a non-rotation drill on the direction of the outside cutting edge, holes larger than the tool's nominal diameter can be produced

AVANCE ET VITESSE RECOMMANDEES

RECOMMENDED FEED AND SPEED FOR DRILLING

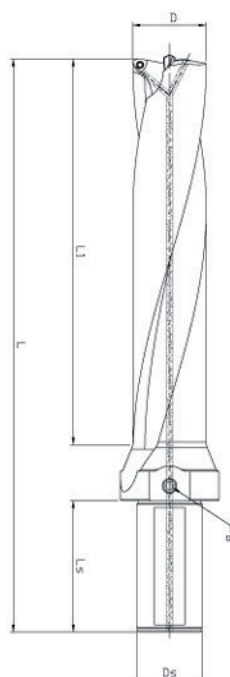
	MATERIAL	HARDNESS HB	CUTTING/SPEED	FEED F [mm/rev.] FOR DRILL DIAMETER D [mm]				
				11 - 19	20 - 29	30 - 41	42 - 58	
P	Unalloyed steel, castings and free cutting steel	~0.15%C	125	150-260	0.05-0.12	0.06-0.14	0.08-0.15	0.10-0.16
		~0.40%C	190	130-240	0.05-0.12	0.06-0.14	0.08-0.15	0.12-0.20
		250	120-220	0.05-0.12	0.06-0.14	0.08-0.15	0.12-0.20	
		~0.70%C	220	120-220	0.05-0.12	0.06-0.14	0.08-0.15	0.12-0.20
	Low alloy steel and castings	300	100-200	0.05-0.12	0.06-0.14	0.08-0.15	0.12-0.20	
		180	130-240	0.05-0.12	0.06-0.14	0.08-0.15	0.12-0.20	
		275	120-220	0.05-0.12	0.06-0.14	0.08-0.15	0.12-0.20	
High alloy steel, castings and tool steel	300	100-200	0.05-0.10	0.06-0.12	0.08-0.14	0.12-0.20		
	350	80-180	0.05-0.10	0.06-0.12	0.08-0.14	0.12-0.20		
	200	120-220	0.05-0.10	0.06-0.12	0.08-0.14	0.12-0.20		
M	Stainless steel and castings	325	80-180	0.05-0.10	0.06-0.12	0.08-0.14	0.12-0.20	
		200	100-200	0.08-0.12	0.10-0.15	0.12-0.18	0.16-0.25	
	Grey cast iron	240	80-180	0.08-0.12	0.10-0.15	0.12-0.18	0.16-0.25	
		180	70-150	0.08-0.12	0.10-0.15	0.12-0.18	0.16-0.25	
K	Nodular cast iron	180	80-160	0.08-0.12	0.10-0.15	0.12-0.18	0.16-0.25	
		260	60-130	0.08-0.12	0.10-0.15	0.12-0.18	0.16-0.25	
	Malleable cast iron	160	80-160	0.08-0.12	0.10-0.15	0.12-0.18	0.16-0.25	
		250	60-130	0.08-0.12	0.10-0.15	0.12-0.18	0.16-0.25	
	Aluminium alloys wrought	130	90-180	0.06-0.12	0.08-0.14	0.12-0.20	0.16-0.28	
N	Aluminium alloys cast	230	80-160	0.06-0.12	0.08-0.14	0.12-0.20	0.16-0.28	
		60	250-500	0.06-0.12	0.08-0.14	0.12-0.20	0.16-0.28	
		100	250-500	0.06-0.12	0.08-0.14	0.12-0.20	0.16-0.28	
	Copper and copper alloys	<=12%Si,	75	200-450	0.06-0.12	0.08-0.14	0.12-0.20	0.16-0.28
			90	200-450	0.06-0.12	0.08-0.14	0.12-0.20	0.16-0.28
		>12%Si,	130	150-320	0.06-0.12	0.08-0.14	0.12-0.20	0.16-0.28
	>1%Pb,	110	80-150	0.08-0.12	0.10-0.16	0.12-0.20	0.16-0.28	
		90	80-150	0.08-0.12	0.10-0.16	0.12-0.20	0.16-0.28	
		100	60-140	0.08-0.12	0.10-0.16	0.12-0.20	0.16-0.28	

FORET A PLAQUETTES 5D + FORET PILOTE

DRILL WITH HEAD POINT 5D

ORDER CODE	REF. PALBIT	D	L1	L	Ds	Ls	B	INSERT	SCREW	DRIVER	PILOT DRILL	STOCK
214058600	DHS 32150250-5D	25	150	250	32	70	UM-1/4	WC..030204	S-22045	XT06	MDP 3006	
214058700	DHS 32150260-5D	26	150	250	32	70	UM-1/4	WC..040204	S-25055	XT08	MDP 3006	
214058800	DHS 32150270-5D	27	150	250	32	70	UM-1/4	WC..040204	S-25055	XT08	MDP 3006	
214058900	DHS 32150280-5D	28	150	250	32	70	UM-1/4	WC..040204	S-25055	XT08	MDP 3006	
214059000	DHS 32150290-5D	29	150	250	32	70	UM-1/4	WC..040204	S-25055	XT08	MDP 3006	
214059100	DHS 32150300-5D	30	150	250	32	70	UM-1/4	WC..040204	S-25055	XT08	MDP 3006	
214059200	DHS 32175310-5D	31	175	275	32	70	UM-1/4	WC..050308	S-30070	XT08	MDP 3508	
214059300	DHS 32175320-5D	32	175	275	32	70	UM-1/4	WC..050308	S-30070	XT08	MDP 3508	
214059400	DHS 32175330-5D	33	175	275	32	70	UM-1/4	WC..050308	S-30070	XT08	MDP 3508	
214059500	DHS 32175340-5D	34	175	275	32	70	UM-1/4	WC..050308	S-30070	XT08	MDP 3508	
214059600	DHS 32175350-5D	35	175	275	32	70	UM-1/4	WC..050308	S-30070	XT08	MDP 3508	
214059700	DHS 32300360-5D	36	200	300	32	70	UM-1/4	WC..050308	S-30070	XT08	MDP 3508	
214059800	DHS 32200370-5D	37	200	300	32	70	UM-1/4	WC..050308	S-30070	XT08	MDP 3508	
214059900	DHS 32300380-5D	38	200	300	32	70	UM-1/4	WC..050308	S-30070	XT08	MDP 3508	
214060000	DHS 32300390-5D	39	200	300	32	70	UM-1/4	WC..050308	S-30070	XT08	MDP 3508	
214060100	DHS 32200400-5D	40	200	300	32	70	UM-1/4	WC..050308	S-30070	XT08	MDP 3508	
214060200	DHS 40225410-5D	41	225	345	40	80	UM-1/4	WC..06T308	S-35090	XT15	MDP 3510	
214060300	DHS 40225420-5D	42	225	345	40	80	UM-1/4	WC..06T308	S-35090	XT15	MDP 3510	
214060400	DHS 40225430-5D	43	225	345	40	80	UM-1/4	WC..06T308	S-35090	XT15	MDP 3510	
214060500	DHS 40225440-5D	44	225	345	40	80	UM-1/4	WC..06T308	S-35090	XT15	MDP 3510	
214060600	DHS 40225450-5D	45	225	345	40	80	UM-1/4	WC..06T308	S-35090	XT15	MDP 3510	
214060700	DHS 40250460-5D	46	250	370	40	80	UM-1/4	WC..06T308	S-35090	XT15	MDP 3510	
214060800	DHS 40250470-5D	47	250	370	40	80	UM-1/4	WC..06T308	S-35090	XT15	MDP 3510	
214060900	DHS 40250480-5D	48	250	370	40	80	UM-1/4	WC..06T308	S-35090	XT15	MDP 3510	
214061000	DHS40250490-5D	49	250	370	40	80	UM-1/4	WC..06T308	S-35090	XT15	MDP 3510	
214061100	DHS 40250500-5D	50	250	370	40	80	UM-1/4	WC..06T308	S-35090	XT15	MDP 3510	
214061200	DHS 40275510-5D	51	275	395	40	80	UM-1/4	WC..080408	S-40110	XT15	MDP 3812	
214061300	DHS 40275520-5D	52	275	395	40	80	UM-1/4	WC..080408	S-40110	XT15	MDP 3812	
214061400	DHS 40275530-5D	53	275	395	40	80	UM-1/4	WC..080408	S-40110	XT15	MDP 3812	
214061500	DHS 40275540-5D	54	275	395	40	80	UM-1/4	WC..080408	S-40110	XT15	MDP 3812	
214061600	DHS 40275550-5D	55	275	395	40	80	UM-1/4	WC..080408	S-40110	XT15	MDP 3812	
214061700	DHS 40300560-5D	56	300	420	40	80	UM-1/4	WC..080408	S-40110	XT15	MDP 3812	
214061800	DHS 40300570-5D	57	300	420	40	80	UM-1/4	WC..080408	S-40110	XT15	MDP 3812	
214061900	DHS 40300580-5D	58	300	420	40	80	UM-1/4	WC..080408	S-40110	XT15	MDP 3812	
214062000	DHS 40300590-5D	59	300	420	40	80	UM-1/4	WC..080408	S-40110	XT15	MDP 3812	

Integrex Drills are supplied without pilot drills. Please order them separately

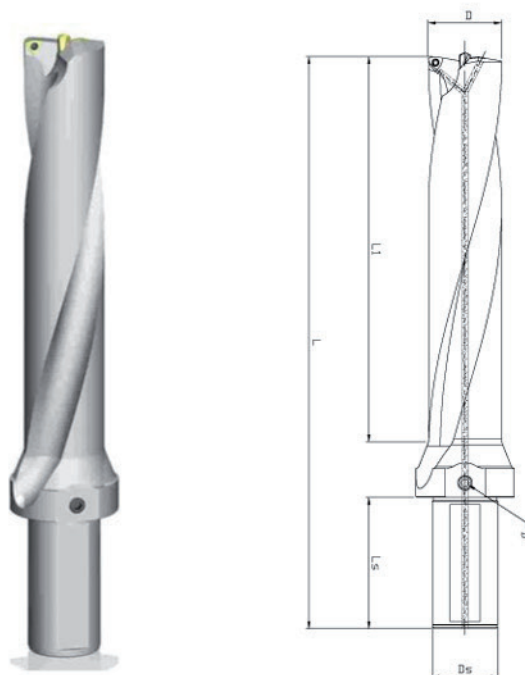


FORET A PLAQUETTES 8D + FORET PILOTE

DRILL WITH HEAD POINT 8D

ORDER CODE	REF. PALBIT	D	L1	L	Ds	Ls	B	INSERT	SCREW	DRIVER	PILOT DRILL	STOCK
214062100	DHS 32220250-8D	25	220	320	32	70	UM-1/4	WC..030204	S-22045	XT06	MDP 3006	
214062200	DHS 32330360-8D	26	220	320	32	70	UM-1/4	WC..040204	S-25055	XT08	MDP 3006	
214062300	DHS 32220270-8D	27	220	320	32	70	UM-1/4	WC..040204	S-25055	XT08	MDP 3006	
214062400	DHS 32220280-8D	28	220	320	32	70	UM-1/4	WC..040204	S-25055	XT08	MDP 3006	
214062500	DHS 32220290-8D	29	220	320	32	70	UM-1/4	WC..040204	S-25055	XT08	MDP 3006	
214062600	DHS 32220300-8D	30	220	320	32	70	UM-1/4	WC..040204	S-25055	XT08	MDP 3006	
214062700	DHS 32260310-8D	31	260	360	32	70	UM-1/4	WC..050308	S-30070	XT08	MDP 3508	
214062800	DHS 32260320-8D	32	260	360	32	70	UM-1/4	WC..050308	S-30070	XT08	MDP 3508	
214062900	DHS 32260330-8D	33	260	360	32	70	UM-1/4	WC..050308	S-30070	XT08	MDP 3508	
214063000	DHS 32260340-8D	34	260	360	32	70	UM-1/4	WC..050308	S-30070	XT08	MDP 3508	
214063100	DHS 32260350-8D	35	260	360	32	70	UM-1/4	WC..050308	S-30070	XT08	MDP 3508	
214063200	DHS 32300360-8D	36	300	400	32	70	UM-1/4	WC..050308	S-30070	XT08	MDP 3508	
214063300	DHS 32300370-8D	37	300	400	32	70	UM-1/4	WC..050308	S-30070	XT08	MDP 3508	
214063400	DHS 32300380-8D	38	300	400	32	70	UM-1/4	WC..050308	S-30070	XT08	MDP 3508	
214063500	DHS 32300390-8D	39	300	400	32	70	UM-1/4	WC..050308	S-30070	XT08	MDP 3508	
214063600	DHS 32300400-8D	40	300	400	32	70	UM-1/4	WC..050308	S-30070	XT08	MDP 3508	
214063700	DHS 40340410-8D	41	340	460	40	80	UM-1/4	WC..06T308	S-35090	XT15	MDP 3510	
214063800	DHS 40340420-8D	42	340	460	40	80	UM-1/4	WC..06T308	S-35090	XT15	MDP 3510	
214063900	DHS 40340430-8D	43	340	460	40	80	UM-1/4	WC..06T308	S-35090	XT15	MDP 3510	
214064000	DHS 40340440-8D	44	340	460	40	80	UM-1/4	WC..06T308	S-35090	XT15	MDP 3510	
214064100	DHS 40340450-8D	45	340	460	40	80	UM-1/4	WC..06T308	S-35090	XT15	MDP 3510	
214064200	DHS 40380460-8D	46	380	500	40	80	UM-1/4	WC..06T308	S-35090	XT15	MDP 3510	
214064300	DHS 40380470-8D	47	380	500	40	80	UM-1/4	WC..06T308	S-35090	XT15	MDP 3510	
214064400	DHS 40380480-8D	48	380	500	40	80	UM-1/4	WC..06T308	S-35090	XT15	MDP 3510	
214064500	DHS 40380490-8D	49	380	500	40	80	UM-1/4	WC..06T308	S-35090	XT15	MDP 3510	
214064600	DHS 40380500-8D	50	380	500	40	80	UM-1/4	WC..06T308	S-35090	XT15	MDP 3510	
214064700	DHS 40420510-8D	51	420	540	40	80	UM-1/4	WC..080408	S-40110	XT15	MDP 3812	
214064800	DHS 40420520-8D	52	420	540	40	80	UM-1/4	WC..080408	S-40110	XT15	MDP 3812	
214064900	DHS 40420530-8D	53	420	540	40	80	UM-1/4	WC..080408	S-40110	XT15	MDP 3812	
214065000	DHS 40420540-8D	54	420	540	40	80	UM-1/4	WC..080408	S-40110	XT15	MDP 3812	
214065100	DHS 40420550-8D	55	420	540	40	80	UM-1/4	WC..080408	S-40110	XT15	MDP 3812	
214065200	DHS 40460560-8D	56	460	580	40	80	UM-1/4	WC..080408	S-40110	XT15	MDP 3812	
214065300	DHS 40460570-8D	57	460	580	40	80	UM-1/4	WC..080408	S-40110	XT15	MDP 3812	
214065400	DHS 40460580-8D	58	460	580	40	80	UM-1/4	WC..080408	S-40110	XT15	MDP 3812	
214065500	DHS 40460590-8D	59	460	580	40	80	UM-1/4	WC..080408	S-40110	XT15	MDP 3812	

Integrex Drills are supplied without pilot drills. Please order them separately.



FORET A PLAQUETTES 5D + FORET PILOTE – TYPE CARTOUCHES

DRILL WITH HEAD POINT 5D - CARTRIDGE TYPE

ORDER CODE	REF. PALBIT	D	L1	L	Ds	Ls	B	INSERT	SCREW	DRIVER	CARTRIDGE	PILOT DRILL	STOCK
214065600	DHC 40325600-5D	60-65	325	445	40	80	UM-1/4	WC..050308	S-30070	XT08	CWC060065 I/O	MDP 3812	
214065700	DHC 40350650-5D	65-70	350	470	40	80	UM-1/4	WC..050308	S-30070	XT08	CWC 065070 I/O	MDP 3812	
214065800	DHC 40375700-5D	70-75	375	495	40	80	UM-1/4	WC..050308	S-30070	XT08	CWC 070075 I/O	MDP 3812	
214065900	DHC 40400750-5D	75-80	400	520	40	80	UM-1/4	WC..06T308	S-35090	XT15	CWC 075080 I/O	MDP4516	

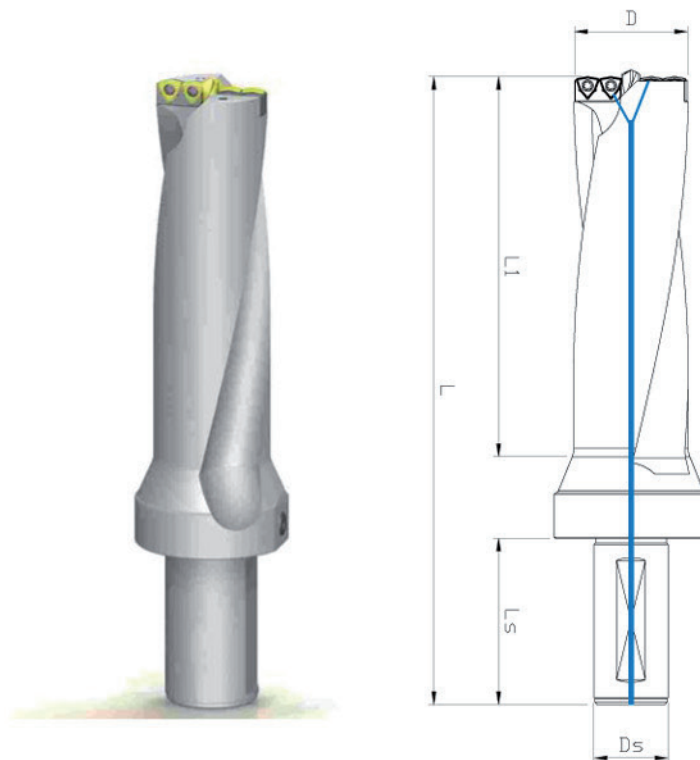
Integrex Drills are supplied without pilot drills. Please order them separately.

FORET A PLAQUETTES 8D + FORET PILOTE – TYPE CARTOUCHES

DRILL WITH HEAD POINT 8D - CARTRIDGE TYPE

ORDER CODE	REF. PALBIT	D	L1	L	Ds	Ls	B	INSERT	SCREW	DRIVER	CARTRIDGE	PILOT DRILL	STOCK
214066000	DHC 40520600-8D	60-65	520	640	40	80	UM-1/4	WC..050308	S-30070	XT08	CWC060065 I/O	MDP 3812	
214066100	DHC 40560650-8D	65-70	560	680	40	80	UM-1/4	WC..050308	S-30070	XT08	CWC 065070 I/O	MDP 3812	
214066200	DHC 40720700-8D	70-75	720	720	40	80	UM-1/4	WC..050308	S-30070	XT08	CWC 070075 I/O	MDP 3812	
214066300	DHC 40760750-8D	75-80	760	760	40	80	UM-1/4	WC..06T308	S-35090	XT15	CWC 075080 I/O	MDP4516	

Integrex Drills are supplied without pilot drills. Please order them separately.

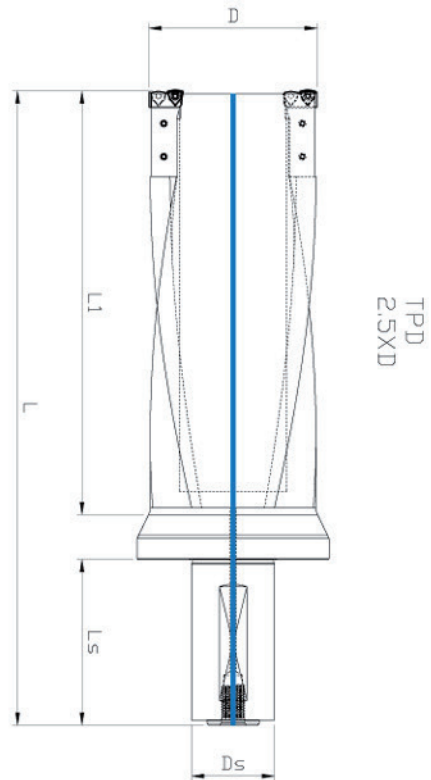


TREAPANNING DRILL

FORET TREPAN

TREAPANNING DRILL

ORDER CODE	REF. PALBIT	D	L1	L	Ds	Ls	CARTRIDGE	INSERT	SCREW	DRIVER	STOCK
214067500	PND 32100400	40	100	210	32	70	CTD-W0503	WC..05308	S-30070	XT08	
214067600	PND 40100450	45	100	210	40	80	CTD-W0503	WC..05308	S-30070	XT08	
214067700	PND 40120500	50	120	230	40	80	CTD-W0503	WC..05308	S-30070	XT08	
214067800	PND 40120550	55	120	230	40	80	CTD-W0503	WC..05308	S-30070	XT08	
214067900	PND 40150600	60	150	270	40	80	CTD-W06T3	WC..06T308	S-35090	XT15	
214068000	PND 40150650	65	150	270	40	80	CTD-W06T3	WC..06T308	S-35090	XT15	
214068100	PND 40170700	70	170	290	40	80	CTD-W06T3	WC..06T308	S-35090	XT15	
214068200	PND 40170750	75	170	290	40	80	CTD-W06T3	WC..06T308	S-35090	XT15	
214068300	PND 40190800	80	190	310	40	80	CTD-W06T3	WC..06T308	S-35090	XT15	
214068400	PND 50190850	85	190	330	50	100	CTD-W06T3	WC..06T308	S-35090	XT15	
214068500	PND 50210900	90	210	350	50	100	CTD-W06T3	WC..06T308	S-35090	XT15	
214068600	PND 50210950	95	210	350	50	100	CTD-W06T3	WC..06T308	S-35090	XT15	
214068700	PND 50250100	100	250	390	50	100	CTD-W06T3	WC..06T308	S-35090	XT15	
214068800	PND 50250110	110	250	390	50	100	CTD-W06T3	WC..06T308	S-35090	XT15	



MODULAR DRILL TYPE

FORET TYPE MODULAIRE

ORDER CODE	REF. PALBIT	Ds	L	L1	L2	INSERTS							STOCK	
						ID 08,0	ID 08,1	ID 08,2	ID 08,3	ID 08,4				
21402090	30DI-C01-D080L	10	117	72	56	ID 08,0	ID 08,1	ID 08,2	ID 08,3	ID 08,4	P0250080	UA1.3	-	-
214100000	30DI-C01-D085L	10	122	77	60	ID 08,5	ID 08,6	ID 08,7	ID 08,8	ID 08,9	P0250080	UA1.3	-	-
214100300	30DI-C01-D090L	10	126	81	67	ID 09,0	ID 09,1	ID 09,2	ID 09,3	ID 09,4	P0250080	UA1.3	-	-
214100600	30DI-C01-D095L	12	140	92	77	ID 09,5	ID 09,6	ID 09,7	ID 09,8	ID 09,9	P0250080	UA1.3	-	-
214100900	30DI-C01-D100L	12	140	92	77	ID 10,0	ID 10,1	ID 10,2	ID 10,3	ID 10,4	P0250080	UA1.3	-	-
214101200	30DI-C01-D105L	12	150	102	87	ID 10,5	ID 10,6	ID 10,7	ID 10,8	ID 10,9	P0250080	UA1.3	-	-
214101400	30DI-C01-D110L	12	150	102	87	ID 11,0	ID 11,1	ID 11,2	ID 11,3	ID 11,4	P0250080	UA1.3	-	-
214101700	30DI-C01-D115L	16	160	102	97	ID 11,5	ID 11,6	ID 11,7	ID 11,8	ID 11,9	P0250080	UA1.3	-	-
214102000	30DI-C01-D120L-EF	16	175	127	100	ID 12,0 DL	ID 12,1 DL	ID 12,2 DL	ID 12,3 DL	ID 12,4 DL	P0250080	UA1.3	P0161255	-
214102300	30DI-C01-D125L-EF	16	175	127	100	ID 12,5 DL	ID 12,6 DL	ID 12,7 DL	ID 12,8 DL	ID 12,9 DL	P0250080	UA1.3	P0161355	-
214102600	30DI-C01-D130L-EF	16	175	127	100	ID 13,0 DL	ID 13,1 DL	ID 13,2 DL	ID 13,3 DL	ID 13,4 DL	P0250080	UA1.3	P0161358	-
	30DI-C01-D135L-EF	16	180	132	105	ID 13,5 DL	ID 13,6 DL	ID 13,7 DL	ID 13,8 DL	ID 13,9 DL	P0300080	UA1.5	P0161455	-
214028300	30DI-C01-D140L-EF	16	180	132	105	ID 14,0 DL	ID 14,1 DL	ID 14,2 DL	ID 14,3 DL	ID 14,4 DL	P0300080	UA1.5	P0161458	-
	30DI-C01-D145L-EF	20	185	135	115	ID 14,5 DL	ID 14,6 DL	ID 14,7 DL	ID 14,8 DL	ID 14,9 DL	P0300080	UA1.5	P0161555	-
	30DI-C01-D150L-EF	20	185	135	115	ID 15,0 DL	ID 15,1 DL	ID 15,2 DL	ID 15,3 DL	ID 15,4 DL	P0300080	UA1.5	P0201555	XT6
	30DI-C01-D155L-EF	20	185	135	115	ID 15,5 DL	ID 15,6 DL	ID 15,7 DL	ID 15,8 DL	ID 15,9 DL	P0300080	UA1.5	P0201555	XT6
214079300	30DI-C01-D160L-EF	20	190	140	123	ID 16,0 DL	ID 16,1 DL	ID 16,2 DL	ID 16,3 DL	ID 16,4 DL	P0300080	UA1.5	P0201658	XT6
214079600	30DI-C01-D165L-EF	20	190	140	123	ID 16,5 DL	ID 16,6 DL	ID 16,7 DL	ID 16,8 DL	ID 16,9 DL	P0300080	UA1.5	P0201555	XT6
214079900	30DI-C01-D170L-EF	20	190	140	123	ID 17,0 DL	ID 17,1 DL	ID 17,2 DL	ID 17,3 DL	ID 17,4 DL	P0300080	UA1.5	P0201758	XT6
214080200	30DI-C01-D175L-EF	20	190	140	123	ID 17,5 DL	ID 17,6 DL	ID 17,7 DL	ID 17,8 DL	ID 17,9 DL	P0300080	UA1.5	P0201855	XT6
214080500	30DI-C01-D180L-EF	20	210	160	138	ID 18,0 DL	ID 18,1 DL	ID 18,2 DL	ID 18,3 DL	ID 18,3 DL	P0300080	UA1.5	P0201858	XT6
214080800	30DI-C01-D185L-EF	20	210	160	138	ID 18,5 DL	ID 18,6 DL	ID 18,7 DL	ID 18,8 DL	ID 18,9 DL	P0300080	UA1.5	P0201955	XT6
214081100	30DI-C01-D190L-EF	20	210	160	138	ID 19,0 DL	ID 19,1 DL	ID 19,2 DL	ID 19,3 DL	ID 19,4 DL	P0300080	UA1.5	P0201958	XT6
214081200	30DI-C01-D195L-EF	20	210	160	138	ID 19,5 DL	ID 19,6 DL	ID 19,7 DL	ID 19,8 DL	ID 19,9 DL	P0300080	UA1.5	P0202055	XT6
214081500	30DI-C01-D200L-EF	25	230	174	153	ID 20,0 DL	ID 20,1 DL	ID 20,2 DL	ID 20,3 DL	ID 20,4 DL	P0400080	UA2.0	P0252055	XT7
214081800	30DI-C01-D205L-EF	25	230	174	153	ID 20,5 DL	ID 20,6 DL	ID 20,7 DL	ID 20,8 DL	ID 20,9 DL	P0400080	UA2.0	P0252155	XT6
214082100	30DI-C01-D210L-EF	25	230	174	153	ID 21,0 DL	ID 21,1 DL	ID 21,2 DL	ID 21,3 DL	ID 21,4 DL	P0400080	UA2.0	P0252158	XT6
214082400	30DI-C01-D215L-EF	25	230	174	153	ID 21,5 DL	ID 21,6 DL	ID 21,7 DL	ID 21,8 DL	ID 21,9 DL	P0400080	UA2.0	P0252255	XT6
214082700	30DI-C01-D220L-EF	25	240	184	168	ID 22,0 DL	ID 22,1 DL	ID 22,2 DL	ID 22,3 DL	ID 22,4 DL	P0400080	UA2.0	P0252258	XT6
214083000	30DI-C01-D225L-EF	25	240	184	168	ID 22,5 DL	ID 22,6 DL	ID 22,7 DL	ID 22,8 DL	ID 22,9 DL	P0400080	UA2.0	P0252355	XT6
214083300	30DI-C01-D230L-EF	25	240	184	168	ID 23,0 DL	ID 23,1 DL	ID 23,2 DL	ID 23,3 DL	ID 23,4 DL	P0400080	UA2.0	P0252358	XT6
214083600	30DI-C01-D235L-EF	25	240	184	168	ID 23,5 DL	ID 23,6 DL	ID 23,7 DL	ID 23,8 DL	ID 23,9 DL	P0400080	UA2.0	P0252455	XT7
214083900	30DI-C01-D240L-EF	32	270	210	183	ID 24,0 DL	ID 24,1 DL	ID 24,2 DL	ID 24,3 DL	ID 24,4 DL	P0400080	UA2.0	P0302455	XT6
214084200	30DI-C01-D245L-EF	32	270	210	183	ID 24,5 DL	ID 24,6 DL	ID 24,7 DL	ID 24,8 DL	ID 24,9 DL	P0400080	UA2.0	P0302555	XT7
214084500	30DI-C01-D250L-EF	32	270	210	183	ID 25,0 DL	ID 25,1 DL	ID 25,2 DL	ID 25,3 DL	ID 25,4 DL	P0400080	UA2.0	P0302558	XT7
214084800	30DI-C01-D255L-EF	32	270	210	183	ID 25,5 DL	ID 25,6 DL	ID 25,7 DL	ID 25,8 DL	ID 25,9 DL	P0400080	UA2.0	P0302658	XT7
214085100	30DI-C01-D260L-EF	32	290	230	198	ID 26,0 DL	ID 26,1 DL	ID 26,2 DL	ID 26,3 DL	ID 26,4 DL	P0400080	UA2.0	P0302655	XT7
214085400	30DI-C01-D265L-EF	32	290	230	198	ID 26,5 DL	ID 26,6 DL	ID 26,7 DL	ID 26,8 DL	ID 26,9 DL	P0400080	UA2.0	P0302755	XT7
214085700	30DI-C01-D270L-EF	32	290	230	198	ID 27,0 DL	ID 27,1 DL	ID 27,2 DL	ID 27,3 DL	ID 27,4 DL	P0500080	UA2.5	P0302758	XT7
214086000	30DI-C01-D275L-EF	32	290	230	198	ID 27,5 DL	ID 27,6 DL	ID 27,7 DL	ID 27,8 DL	ID 27,9 DL	P0500080	UA2.5	P0302855	XT7
214086300	30DI-C01-D280L-EF	32	300	240	213	ID 28,0 DL	ID 28,1 DL	ID 28,2 DL	ID 28,3 DL	ID 28,4 DL	P0500080	UA2.5	P0302858	XT7
214086600	30DI-C01-D285L-EF	32	300	240	213	ID 28,5 DL	ID 28,6 DL	ID 28,7 DL	ID 28,8 DL	ID 28,9 DL	P0500080	UA2.5	P0302955	XT7
214086900	30DI-C01-D290L-EF	32	300	240	213	ID 29,0 DL	ID 29,1 DL	ID 29,2 DL	ID 29,3 DL	ID 29,4 DL	P0500080	UA2.5	P0302958	XT7
214087200	30DI-C01-D295L-EF	32	300	240	213	ID 29,5 DL	ID 29,6 DL	ID 29,7 DL	ID 29,8 DL	ID 29,9 DL	P0500080	UA2.5	P0303055	XT7
214087500	30DI-C01-D300L-EF	32	320	260	228	ID 30,0 DL	ID 30,1 DL	ID 30,2 DL	ID 30,3 DL	ID 30,4 DL	P0600080	UA3.0	P0403055	XT9
214087800	30DI-C01-D305L-EF	32	320	260	228	ID 30,5 DL	ID 30,6 DL	ID 30,7 DL	ID 30,8 DL	ID 30,9 DL	P0600080	UA3.0	P0403155	XT9
214088100	30DI-C01-D310L-EF	32	320	260	228	ID 31,0 DL	ID 31,1 DL	ID 31,2 DL	ID 31,3 DL	ID 31,4 DL	P0600080	UA3.0	P0403158	XT9
214088400	30DI-C01-D315L-EF	32	320	260	228	ID 31,5 DL	ID 31,6 DL	ID 31,7 DL	ID 31,8 DL	ID 31,9 DL	P0600080	UA3.0	P0403255	XT9
214088600	30DI-C01-D320L-EF	32	340	280	243	ID 32,0 DL	ID 32,1 DL	ID 32,2 DL	ID 32,3 DL	ID 32,4 DL	P0600080	UA3.0	P0403258	XT9
214088900	30DI-C01-D325L-EF	32	340	280	243	ID 32,5 DL	ID 32,6 DL	ID 32,7 DL	ID 32,8 DL	ID 32,9 DL	P0600080	UA3.0	P0403355	XT9
214089200	30DI-C01-D330L-EF	32	340	280	243	ID 33,0 DL	ID 33,1 DL	ID 33,2 DL	ID 33,3 DL	ID 33,4 DL	P0600080	UA3.0	P0403358	XT9
214089500	30DI-C01-D335L-EF	32	340	280	243	ID 33,5 DL	ID 33,6 DL	ID 33,7 DL	ID 33,8 DL	ID 33,9 DL	P0600080	UA3.0	P0403455	XT9
214089800	30DI-C01-D340L-EF	40	360	290	258	ID 34,0	ID 34,1	ID 34,2	ID 34,3	ID 34,4	P0800080	UA4.0	-	-
214090100	30DI-C01-D345L-EF	40	360	290	258	ID 34,5	ID 34,6	ID 34,7	ID 34,8	ID 34,9	P0800080	UA4.0	-	-
214090400	30DI-C01-D350L-EF	40	360	290	258	ID 35,0	ID 35,1	ID 35,2	ID 35,3	ID 35,4	P0800080	UA4.0	-	-
214090700	30DI-C01-D355L-EF	40	360	290	258	ID 35,5	ID 35,6	ID 35,7	ID 35,8	ID 35,9	P0800080	UA4.0	-	-
214091000	30DI-C01-D360L-EF	40	380	310	273	ID 36,0	ID 36,1	ID 36,2	ID 36,3	ID 36,4	P0800080	UA4.0	-	-
214091300	30DI-C01-D365L-EF	40	380	310	273	ID 36,5	ID 36,6	ID 36,7	ID 36,8	ID 36,9	P0800080	UA4.0	-	-
214091600	30DI-C01-D370L-EF	40	380	310	273	ID 37,0	ID 37,1	ID 37,2	ID 37,3	ID 37,4	P0800080	UA4.0	-	-
214091900	30DI-C01-D375L-EF	40	380	310	273	ID 37,5	ID 37,6	ID 37,7	ID 37,8	ID 37,9	P0800080	UA4.0	-	-
214092200	30DI-C01-D380L-EF	40	400	330	288	ID 38,0	ID 38,1	ID 38,2	ID 38,3	ID 38,4	P0800080	UA4.0	-	-
214092500	30DI-C01-D385L-EF	40	400	330	288	ID 38,5	ID 38,6	ID 38,7	ID 38,8	ID 38,9	P0800080	UA4.0	-	-
214092800	30DI-C01-D390L-EF	40	400	330	288	ID 39,0	ID 39,1	ID 39,2	ID 39,3	ID 39,4	P0800080	UA4.0	-	-
214093100	30DI-C01-D395L-EF	40	400	330	288	ID 39,5	ID 39,6	ID 39,7	ID 39,8	ID 39,9	P0800080	UA4.0	-	-
214093400	30DI-C01-D400L-EF	40	420	350	303	ID 40,0	ID 40,1	ID 40,2	ID 40,3	ID 40,4	P0800080	UA4.0	-	-
214093700	30DI-C01-D405L-EF	40	420	350	303	ID 40,5	ID 40,6	ID 40,7	ID 40,8	ID 40,9	P0800080	UA4.0	-	-
214940000	30DI-C01-D410L-EF	40	420	350	303	ID 41,0	ID 41,1	ID 41,2	ID 41,3	ID 41,4	P0800080	UA4.0	-	-
214094300	30DI-C01-D415L-EF	40	420	350	303	ID 41,5	ID 41,6	ID 41,7	ID 41,8	ID 41,9	P0800080	UA4.0	-	-
214094600	30DI-C01-D420L-EF	40	420	350	318	ID 42,0	ID 42,1	ID 42,2	ID 42,3	ID 42,4	P0800080	UA4.0	-	-
214094900	30DI-C01-D425L-EF	40	420	350	318	ID 42,5	ID 42,6	ID 42,7	ID 42,8	ID 42,9	P0800080	UA4.0	-	-
214095200	30DI-C01-D430L-EF	40	420	350	318	ID 43,0	ID 43,1	ID 43,2	ID 43,3	ID 43,4	P0800080	UA4.0	-	-
214095500	30DI-C01-D435L-EF	40	420	350	318	ID 43,5	ID 43,6	ID 43,7	ID 43,8	ID 43,9	P0800080	UA4.0	-	-
214095800	30DI-C01-D440L-EF	40	460	390	333	ID 44,0	ID 44,1	ID 44,2	ID 44,3	ID 44,4	P0800080	UA4.0	-	-
214096100	30DI-C01-D445L-EF	40	460	390	333	ID 44,5	ID 44,6	ID 44,7	ID 44,8	ID 44,9	P0800080	UA4.0	-	-
214096400	30DI-C01-D450L-EF	40	460	390	333	ID 45,0	ID 45,1	ID 45,2	ID 45,3	ID 45,4	P0800080	UA4.0	-	-
214096700	30DI-C01-D455L-EF	40	460	390	333	ID 45,5	ID 45,6	ID 45,7	ID 45,8	ID 45,9	P0800080	UA4.0	-	-
214097000	30DI-C01-D460L-EF	40	460	390	348	ID 46,0	ID 46,1	ID 46,2	ID 46,3	ID 46,4	P0800080	UA4.0	-	-
214097300	30DI-C01-D465L-EF	40	460	390	348	ID 46,5								

FORET TYPE MODULAIRE

ORDER CODE	REF. PALBIT	Ds	L	L1	L2	INSERTS							STOCK		
214099800	30DI-C01-D080M	10	96	51	40	ID 08,0	ID 08,1	ID 08,2	ID 08,3	ID 08,4	P0250080	UA1.3	-	-	
214100100	30DI-C01-D085M	10	100	55	45	ID 08,5	ID 08,6	ID 08,7	ID 08,8	ID 08,9	P0250080	UA1.3	-	-	
214100400	30DI-C01-D090M	10	105	60	47	ID 09,0	ID 09,1	ID 09,2	ID 09,3	ID 09,4	P0250080	UA1.3	-	-	
214100700	30DI-C01-D095M	12	115	67	57	ID 09,5	ID 09,6	ID 09,7	ID 09,8	ID 09,9	P0250080	UA1.3	-	-	
214101000	30DI-C01-D100M	12	115	67	57	ID 10,0	ID 10,1	ID 10,2	ID 10,3	ID 10,4	P0250080	UA1.3	-	-	
214101300	30DI-C01-D105M	12	125	77	67	ID 10,5	ID 10,6	ID 10,7	ID 10,8	ID 10,9	P0250080	UA1.3	-	-	
214101500	30DI-C01-D110M	12	125	77	67	ID 11,0	ID 11,1	ID 11,2	ID 11,3	ID 11,4	P0250080	UA1.3	-	-	
214101800	30DI-C01-D115M	12	130	82	72	ID 11,5	ID 11,6	ID 11,7	ID 11,8	ID 11,9	P0250080	UA1.3	-	-	
214102100	30DI-C01-D120M-EF	16	140	92	75	ID 12,0 DL	ID 12,1 DL	ID 12,2 DL	ID 12,3 DL	ID 12,4 DL	P0250080	UA1.3	P0161255	-	
214102400	30DI-C01-D125M-EF	16	140	92	75	ID 12,5 DL	ID 12,6 DL	ID 12,7 DL	ID 12,8 DL	ID 12,9 DL	P0250080	UA1.3	P0161355	-	
214102700	30DI-C01-D130M-EF	16	140	92	75	ID 13,0 DL	ID 13,1 DL	ID 13,2 DL	ID 13,3 DL	ID 13,4 DL	P0250080	UA1.3	P0161356	-	
	30DI-C01-D135M-EF	16	145	97	80	ID 13,5 DL	ID 13,6 DL	ID 13,7 DL	ID 13,8 DL	ID 13,9 DL	P0300080	UA1.5	P0161455	-	
	30DI-C01-D140M-EF	16	145	97	80	ID 14,0 DL	ID 14,1 DL	ID 14,2 DL	ID 14,3 DL	ID 14,4 DL	P0300080	UA1.5	P0161456	-	
	30DI-C01-D145M-EF	20	148	98	83	ID 14,5 DL	ID 14,6 DL	ID 14,7 DL	ID 14,8 DL	ID 14,9 DL	P0300080	UA1.5	P0161555	-	
214027300	30DI-C01-D150M-EF	20	148	98	83	ID 15,0 DL	ID 15,1 DL	ID 15,2 DL	ID 15,3 DL	ID 15,4 DL	P0300080	UA1.5	P0201555	XT6	
214029200	30DI-C01-D155M-EF	20	148	98	83	ID 15,5 DL	ID 15,6 DL	ID 15,7 DL	ID 15,8 DL	ID 15,9 DL	P0300080	UA1.5	P0201655	XT6	
214079400	30DI-C01-D160M-EF	20	150	100	89	ID 16,0 DL	ID 16,1 DL	ID 16,2 DL	ID 16,3 DL	ID 16,4 DL	P0300080	UA1.5	P0201656	XT6	
214079700	30DI-C01-D165M-EF	20	150	100	89	ID 16,5 DL	ID 16,6 DL	ID 16,7 DL	ID 16,8 DL	ID 16,9 DL	P0300080	UA1.5	P0201555	XT6	
214080000	30DI-C01-D170M-EF	20	160	110	100	ID 17,0 DL	ID 17,1 DL	ID 17,2 DL	ID 17,3 DL	ID 17,4 DL	P0300080	UA1.5	P0201756	XT6	
214080300	30DI-C01-D175M-EF	20	160	110	100	ID 17,5 DL	ID 17,6 DL	ID 17,7 DL	ID 17,8 DL	ID 17,9 DL	P0300080	UA1.5	P0201855	XT6	
214080600	30DI-C01-D180M-EF	20	170	120	100	ID 18,0 DL	ID 18,1 DL	ID 18,2 DL	ID 18,3 DL	ID 18,4 DL	P0300080	UA1.5	P0201856	XT6	
214080900	30DI-C01-D185M-EF	20	170	120	100	ID 18,5 DL	ID 18,6 DL	ID 18,7 DL	ID 18,8 DL	ID 18,9 DL	P0300080	UA1.5	P0201955	XT6	
214081100	30DI-C01-D190M-EF	20	170	120	100	ID 19,0 DL	ID 19,1 DL	ID 19,2 DL	ID 19,3 DL	ID 19,4 DL	P0300080	UA1.5	P0201956	XT6	
214081300	30DI-C01-D195M-EF	20	170	120	100	ID 19,5 DL	ID 19,6 DL	ID 19,7 DL	ID 19,8 DL	ID 19,9 DL	P0300080	UA1.5	P0202055	XT6	
214081600	30DI-C01-D200M-EF	25	190	134	110	ID 20,0 DL	ID 20,1 DL	ID 20,2 DL	ID 20,3 DL	ID 20,4 DL	P0400080	UA2.0	P0252055	XT6	
214081900	30DI-C01-D205M-EF	25	190	134	110	ID 20,5 DL	ID 20,6 DL	ID 20,7 DL	ID 20,8 DL	ID 20,9 DL	P0400080	UA2.0	P0252155	XT6	
214082200	30DI-C01-D210M-EF	25	190	134	110	ID 21,0 DL	ID 21,1 DL	ID 21,2 DL	ID 21,3 DL	ID 21,4 DL	P0400080	UA2.0	P0252156	XT6	
214082500	30DI-C01-D215M-EF	25	190	134	110	ID 21,5 DL	ID 21,6 DL	ID 21,7 DL	ID 21,8 DL	ID 21,9 DL	P0400080	UA2.0	P0252255	XT6	
214082800	30DI-C01-D220M-EF	25	200	144	121	ID 22,0 DL	ID 22,1 DL	ID 22,2 DL	ID 22,3 DL	ID 22,4 DL	P0400080	UA2.0	P0252256	XT6	
214083100	30DI-C01-D225M-EF	25	200	144	121	ID 22,5 DL	ID 22,6 DL	ID 22,7 DL	ID 22,8 DL	ID 22,9 DL	P0400080	UA2.0	P0252355	XT6	
214083400	30DI-C01-D230M-EF	25	200	144	121	ID 23,0 DL	ID 23,1 DL	ID 23,2 DL	ID 23,3 DL	ID 23,4 DL	P0400080	UA2.0	P0252356	XT6	
214083700	30DI-C01-D235M-EF	25	200	144	121	ID 23,5 DL	ID 23,6 DL	ID 23,7 DL	ID 23,8 DL	ID 23,9 DL	P0400080	UA2.0	P0252455	XT6	
214084000	30DI-C01-D240M-EF	32	220	160	133	ID 24,0 DL	ID 24,1 DL	ID 24,2 DL	ID 24,3 DL	ID 24,4 DL	P0400080	UA2.0	P0302455	XT7	
214084300	30DI-C01-D245M-EF	32	220	160	133	ID 24,5 DL	ID 24,6 DL	ID 24,7 DL	ID 24,8 DL	ID 24,9 DL	P0400080	UA2.0	P0302555	XT7	
214084600	30DI-C01-D250M-EF	32	220	160	133	ID 25,0 DL	ID 25,1 DL	ID 25,2 DL	ID 25,3 DL	ID 25,4 DL	P0400080	UA2.0	P0302556	XT7	
214084900	30DI-C01-D255M-EF	32	220	160	133	ID 25,5 DL	ID 25,6 DL	ID 25,7 DL	ID 25,8 DL	ID 25,9 DL	P0400080	UA2.0	P0302655	XT7	
214085200	30DI-C01-D260M-EF	32	240	180	144	ID 26,0 DL	ID 26,1 DL	ID 26,2 DL	ID 26,3 DL	ID 26,4 DL	P0400080	UA2.0	P0302655	XT7	
214085500	30DI-C01-D265M-EF	32	240	180	144	ID 26,5 DL	ID 26,6 DL	ID 26,7 DL	ID 26,8 DL	ID 26,9 DL	P0400080	UA2.0	P0302755	XT7	
214085800	30DI-C01-D270M-EF	32	240	180	144	ID 27,0 DL	ID 27,1 DL	ID 27,2 DL	ID 27,3 DL	ID 27,4 DL	P0500080	UA2.5	P0302756	XT7	
214086100	30DI-C01-D275M-EF	32	240	180	144	ID 27,5 DL	ID 27,6 DL	ID 27,7 DL	ID 27,8 DL	ID 27,9 DL	P0500080	UA2.5	P0302855	XT7	
214086400	30DI-C01-D280M-EF	32	250	190	155	ID 28,0 DL	ID 28,1 DL	ID 28,2 DL	ID 28,3 DL	ID 28,4 DL	P0500080	UA2.5	P0302856	XT7	
214086700	30DI-C01-D285M-EF	32	250	190	155	ID 28,5 DL	ID 28,6 DL	ID 28,7 DL	ID 28,8 DL	ID 28,9 DL	P0500080	UA2.5	P0302955	XT7	
214087000	30DI-C01-D290M-EF	32	250	190	155	ID 29,0 DL	ID 29,1 DL	ID 29,2 DL	ID 29,3 DL	ID 29,4 DL	P0500080	UA2.5	P0302956	XT7	
214087300	30DI-C01-D295M-EF	32	250	190	155	ID 29,5 DL	ID 29,6 DL	ID 29,7 DL	ID 29,8 DL	ID 29,9 DL	P0500080	UA2.5	P0303055	XT7	
214087600	30DI-C01-D300M-EF	32	260	200	165	ID 30,0 DL	ID 30,1 DL	ID 30,2 DL	ID 30,3 DL	ID 30,4 DL	P0600080	UA3.0	P0403055	XT9	
214087900	30DI-C01-D305M-EF	32	260	200	165	ID 30,5 DL	ID 30,6 DL	ID 30,7 DL	ID 30,8 DL	ID 30,9 DL	P0600080	UA3.0	P0403155	XT9	
214088200	30DI-C01-D310M-EF	32	260	200	165	ID 31,0 DL	ID 31,1 DL	ID 31,2 DL	ID 31,3 DL	ID 31,4 DL	P0600080	UA3.0	P0403156	XT9	
214088500	30DI-C01-D315M-EF	32	260	200	165	ID 31,5 DL	ID 31,6 DL	ID 31,7 DL	ID 31,8 DL	ID 31,9 DL	P0600080	UA3.0	P0403255	XT9	
214088700	30DI-C01-D320M-EF	32	270	210	177	ID 32,0 DL	ID 32,1 DL	ID 32,2 DL	ID 32,3 DL	ID 32,4 DL	P0600080	UA3.0	P0403256	XT9	
214089000	30DI-C01-D325M-EF	32	270	210	177	ID 32,5 DL	ID 32,6 DL	ID 32,7 DL	ID 32,8 DL	ID 32,9 DL	P0600080	UA3.0	P0403355	XT9	
214089300	30DI-C01-D330M-EF	32	270	210	177	ID 33,0 DL	ID 33,1 DL	ID 33,2 DL	ID 33,3 DL	ID 33,4 DL	P0600080	UA3.0	P0403356	XT9	
214089600	30DI-C01-D335M-EF	32	270	210	177	ID 33,5 DL	ID 33,6 DL	ID 33,7 DL	ID 33,8 DL	ID 33,9 DL	P0600080	UA3.0	P0403455	XT9	
214089900	30DI-C01-D340M-EF	40	300	230	188	ID 34,0	ID 34,1	ID 34,2	ID 34,3	ID 34,4	P0800080	UA4.0	-	-	
214090200	30DI-C01-D345M-EF	40	300	230	188	ID 34,5	ID 34,6	ID 34,7	ID 34,8	ID 34,9	P0800080	UA4.0	-	-	
214090500	30DI-C01-D350M-EF	40	300	230	188	ID 35,0	ID 35,1	ID 35,2	ID 35,3	ID 35,4	P0800080	UA4.0	-	-	
214090800	30DI-C01-D355M-EF	40	300	230	188	ID 35,5	ID 35,6	ID 35,7	ID 35,8	ID 35,9	P0800080	UA4.0	-	-	
214091100	30DI-C01-D360M-EF	40	310	240	199	ID 36,0	ID 36,1	ID 36,2	ID 36,3	ID 36,4	P0800080	UA4.0	-	-	
214091400	30DI-C01-D365M-EF	40	310	240	199	ID 36,5	ID 36,6	ID 36,7	ID 36,8	ID 36,9	P0800080	UA4.0	-	-	
214091700	30DI-C01-D370M-EF	40	310	240	199	ID 37,0	ID 37,1	ID 37,2	ID 37,3	ID 37,4	P0800080	UA4.0	-	-	
214092000	30DI-C01-D375M-EF	40	310	240	199	ID 37,5	ID 37,6	ID 37,7	ID 37,8	ID 37,9	P0800080	UA4.0	-	-	
214092300	30DI-C01-D380M-EF	40	320	250	210	ID 38,0	ID 38,1	ID 38,2	ID 38,3	ID 38,4	P0800080	UA4.0	-	-	
214092600	30DI-C01-D385M-EF	40	320	250	210	ID 38,5	ID 38,6	ID 38,7	ID 38,8	ID 38,9	P0800080	UA4.0	-	-	
214092900	30DI-C01-D390M-EF	40	320	250	210	ID 39,0	ID 39,1	ID 39,2	ID 39,3	ID 39,4	P0800080	UA4.0	-	-	
214093200	30DI-C01-D395M-EF	40	320	250	210	ID 39,5	ID 39,6	ID 39,7	ID 39,8	ID 39,9	P0800080	UA4.0	-	-	
214093500	30DI-C01-D400M-EF	40	340	270	221	ID 40,0	ID 40,1	ID 40,2	ID 40,3	ID 40,4	P0800080	UA4.0	-	-	
214093800	30DI-C01-D405M-EF	40	340	270	221	ID 40,5	ID 40,6	ID 40,7	ID 40,8	ID 40,9	P0800080	UA4.0	-	-	
214094100	30DI-C01-D410M-EF	40	340	270	221	ID 41,0	ID 41,1	ID 41,2	ID 41,3	ID 41,4	P0800080	UA4.0	-	-	
214094400	30DI-C01-D415M-EF	40	340	270	221	ID 41,5	ID 41,6	ID 41,7	ID 41,8	ID 41,9	P0800080	UA4.0	-	-	
214094700	30DI-C01-D420M-EF	40	340	270	232	ID 42,0	ID 42,1	ID 42,2	ID 42,3	ID 42,4	P0800080	UA4.0	-	-	
214095000	30DI-C01-D425M-EF	40	340	270	232	ID 42,5	ID 42,6	ID 42,7	ID 42,8	ID 42,9	P0800080	UA4.0	-	-	
214095300	30DI-C01-D430M-EF	40	340	270	232	ID 43,0	ID 43,1	ID 43,2	ID 43,3	ID 43,4	P0800080	UA4.0	-	-	
214095600	30DI-C01-D435M-EF	40	340	270	232	ID 43,5	ID 43,6	ID 43,7	ID 43,8	ID 43,9	P0800080	UA4.0	-	-	
214095900	30DI-C01-D440M-EF	40	370	300	243	ID 44,0	ID 44,1	ID 44,2	ID 44,3	ID 44,4	P0800080	UA4.0	-	-	
214096200	30DI-C01-D445M-EF	40	370	300	243	ID 44,5	ID 44,6	ID 44,7	ID 44,8	ID 44,9	P0800080	UA4.0	-	-	
214096500	30DI-C01-D450M-EF	40	370	300	243	ID 45,0	ID 45,1	ID 45,2	ID 45,3	ID 45,4	P0800080	UA4.0	-	-	
214096800	30DI-C01-D455M-EF	40	370	300	243	ID 45,5	ID 45,6	ID 45,7	ID 45,8	ID 45,9	P0800080	UA4.0	-	-	
214097100	30														

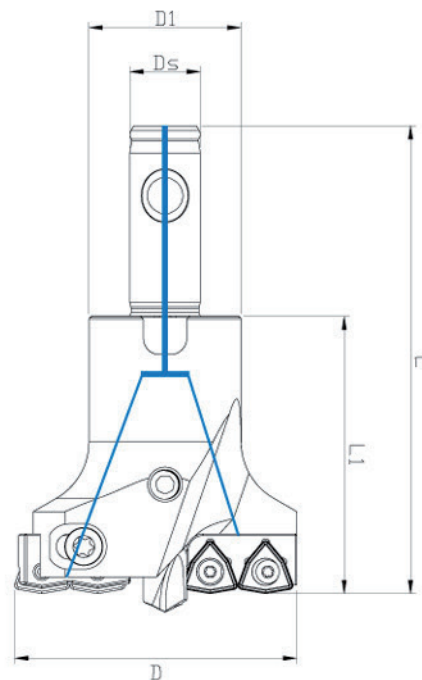
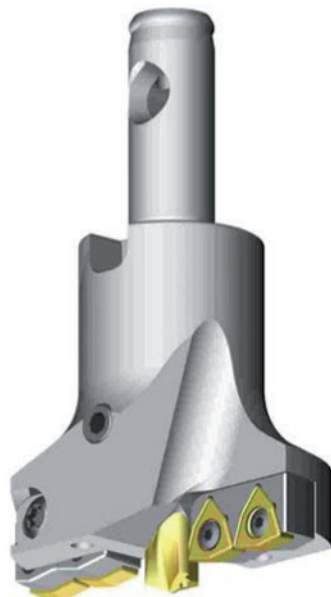
FORET TYPE MODULAIRE

ORDER CODE	REF. PALBIT	Ds	L	L1	L2	INSERTS										STOCK		
21409900	30DI-C01-D080S	10	80	35	24	ID 08,0	ID 08,1	ID 08,2	ID 08,3	ID 08,4	P0250080	UA1.3	-	-				
214100200	30DI-C01-D085S	10	82	37	26	ID 08,5	ID 08,6	ID 08,7	ID 08,8	ID 08,9	P0250080	UA1.3	-	-				
214100500	30DI-C01-D090S	10	85	40	27	ID 09,0	ID 09,1	ID 09,2	ID 09,3	ID 09,4	P0250080	UA1.3	-	-				
214100800	30DI-C01-D095S	12	95	47	37	ID 09,5	ID 09,6	ID 09,7	ID 09,8	ID 09,9	P0250080	UA1.3	-	-				
214101100	30DI-C01-D100S	12	95	47	37	ID 10,0	ID 10,1	ID 10,2	ID 10,3	ID 10,4	P0250080	UA1.3	-	-				
214099700	30DI-C01-D105S	12	100	52	42	ID 10,5	ID 10,6	ID 10,7	ID 10,8	ID 10,9	P0250080	UA1.3	-	-				
214101600	30DI-C01-D110S	12	100	52	42	ID 11,0	ID 11,1	ID 11,2	ID 11,3	ID 11,4	P0250080	UA1.3	-	-				
214101900	30DI-C01-D115S	12	105	57	47	ID 11,5	ID 11,6	ID 11,7	ID 11,8	ID 11,9	P0250080	UA1.3	-	-				
214102200	30DI-C01-D120S-EF	16	110	62	45	ID 12,0 DL	ID 12,1 DL	ID 12,2 DL	ID 12,3 DL	ID 12,4 DL	P0250080	UA1.3	P0161255	-				
214102500	30DI-C01-D125S-EF	16	110	62	45	ID 12,5 DL	ID 12,6 DL	ID 12,7 DL	ID 12,8 DL	ID 12,9 DL	P0250080	UA1.3	P0161355	-				
	30DI-C01-D130S-EF	16	110	62	45	ID 13,0 DL	ID 13,1 DL	ID 13,2 DL	ID 13,3 DL	ID 13,4 DL	P0250080	UA1.3	P0161356	-				
	30DI-C01-D135S-EF	16	115	67	50	ID 13,5 DL	ID 13,6 DL	ID 13,7 DL	ID 13,8 DL	ID 13,9 DL	P0300080	UA1.5	P0161455	-				
	30DI-C01-D140S-EF	16	115	67	50	ID 14,0 DL	ID 14,1 DL	ID 14,2 DL	ID 14,3 DL	ID 14,4 DL	P0300080	UA1.5	P0161456	-				
	30DI-C01-D145S-EF	20	125	75	53	ID 14,5 DL	ID 14,6 DL	ID 14,7 DL	ID 14,8 DL	ID 14,9 DL	P0300080	UA1.5	P0161555	-				
	30DI-C01-D150S-EF	20	125	75	53	ID 15,0 DL	ID 15,1 DL	ID 15,2 DL	ID 15,3 DL	ID 15,4 DL	P0300080	UA1.5	P0201555	XT6				
	30DI-C01-D155S-EF	20	125	75	53	ID 15,5 DL	ID 15,6 DL	ID 15,7 DL	ID 15,8 DL	ID 15,9 DL	P0300080	UA1.5	P0201655	XT6				
214079500	30DI-C01-D160S-EF	20	130	80	55	ID 16,0 DL	ID 16,1 DL	ID 16,2 DL	ID 16,3 DL	ID 16,4 DL	P0300080	UA1.5	P0201656	XT6				
214079800	30DI-C01-D165S-EF	20	130	80	55	ID 16,5 DL	ID 16,6 DL	ID 16,7 DL	ID 16,8 DL	ID 16,9 DL	P0300080	UA1.5	P0201555	XT6				
214080100	30DI-C01-D170S-EF	20	130	80	55	ID 17,0 DL	ID 17,1 DL	ID 17,2 DL	ID 17,3 DL	ID 17,4 DL	P0300080	UA1.5	P0201756	XT6				
214080400	30DI-C01-D175S-EF	20	130	80	55	ID 17,5 DL	ID 17,6 DL	ID 17,7 DL	ID 17,8 DL	ID 17,9 DL	P0300080	UA1.5	P0201855	XT6				
214080700	30DI-C01-D180S-EF	20	140	90	63	ID 18,0 DL	ID 18,1 DL	ID 18,2 DL	ID 18,3 DL	ID 18,4 DL	P0300080	UA1.5	P0201856	XT6				
214081000	30DI-C01-D185S-EF	20	140	90	63	ID 18,5 DL	ID 18,6 DL	ID 18,7 DL	ID 18,8 DL	ID 18,9 DL	P0300080	UA1.5	P0201955	XT6				
214069100	30DI-C01-D190S-EF	20	140	90	63	ID 19,0 DL	ID 19,1 DL	ID 19,2 DL	ID 19,3 DL	ID 19,4 DL	P0300080	UA1.5	P0201956	XT6				
214081400	30DI-C01-D195S-EF	20	140	90	63	ID 19,5 DL	ID 19,6 DL	ID 19,7 DL	ID 19,8 DL	ID 19,9 DL	P0300080	UA1.5	P0202055	XT6				
214081700	30DI-C01-D200S-EF	25	150	94	69	ID 20,0 DL	ID 20,1 DL	ID 20,2 DL	ID 20,3 DL	ID 20,4 DL	P0400080	UA2.0	P0252055	XT6				
214082000	30DI-C01-D205S-EF	25	150	94	69	ID 20,5 DL	ID 20,6 DL	ID 20,7 DL	ID 20,8 DL	ID 20,9 DL	P0400080	UA2.0	P0252155	XT6				
214082300	30DI-C01-D210S-EF	25	150	94	69	ID 21,0 DL	ID 21,1 DL	ID 21,2 DL	ID 21,3 DL	ID 21,4 DL	P0400080	UA2.0	P0252156	XT6				
214082600	30DI-C01-D215S-EF	25	150	94	69	ID 21,5 DL	ID 21,6 DL	ID 21,7 DL	ID 21,8 DL	ID 21,9 DL	P0400080	UA2.0	P0252255	XT6				
214082900	30DI-C01-D220S-EF	25	160	104	75	ID 22,0 DL	ID 22,1 DL	ID 22,2 DL	ID 22,3 DL	ID 22,4 DL	P0400080	UA2.0	P0252256	XT6				
214083200	30DI-C01-D225S-EF	25	160	104	75	ID 22,5 DL	ID 22,6 DL	ID 22,7 DL	ID 22,8 DL	ID 22,9 DL	P0400080	UA2.0	P0252355	XT6				
214083500	30DI-C01-D230S-EF	25	160	104	75	ID 23,0 DL	ID 23,1 DL	ID 23,2 DL	ID 23,3 DL	ID 23,4 DL	P0400080	UA2.0	P0252356	XT6				
214083800	30DI-C01-D235S-EF	25	160	104	75	ID 23,5 DL	ID 23,6 DL	ID 23,7 DL	ID 23,8 DL	ID 23,9 DL	P0400080	UA2.0	P0252455	XT6				
214084100	30DI-C01-D240S-EF	32	170	110	83	ID 24,0 DL	ID 24,1 DL	ID 24,2 DL	ID 24,3 DL	ID 24,4 DL	P0400080	UA2.0	P0302455	XT7				
214084400	30DI-C01-D245S-EF	32	170	110	83	ID 24,5 DL	ID 24,6 DL	ID 24,7 DL	ID 24,8 DL	ID 24,9 DL	P0400080	UA2.0	P0302555	XT7				
214084700	30DI-C01-D250S-EF	32	170	110	83	ID 25,0 DL	ID 25,1 DL	ID 25,2 DL	ID 25,3 DL	ID 25,4 DL	P0400080	UA2.0	P0302556	XT7				
214085000	30DI-C01-D255S-EF	32	170	110	83	ID 25,5 DL	ID 25,6 DL	ID 25,7 DL	ID 25,8 DL	ID 25,9 DL	P0400080	UA2.0	P0302656	XT7				
214085300	30DI-C01-D260S-EF	32	180	120	90	ID 26,0 DL	ID 26,1 DL	ID 26,2 DL	ID 26,3 DL	ID 26,4 DL	P0400080	UA2.0	P0302655	XT7				
214085600	30DI-C01-D265S-EF	32	180	120	90	ID 26,5 DL	ID 26,6 DL	ID 26,7 DL	ID 26,8 DL	ID 26,9 DL	P0400080	UA2.0	P0302755	XT7				
214085900	30DI-C01-D270S-EF	32	180	120	90	ID 27,0 DL	ID 27,1 DL	ID 27,2 DL	ID 27,3 DL	ID 27,4 DL	P0500080	UA2.5	P0302756	XT7				
214086200	30DI-C01-D275S-EF	32	180	120	90	ID 27,5 DL	ID 27,6 DL	ID 27,7 DL	ID 27,8 DL	ID 27,9 DL	P0500080	UA2.5	P0302855	XT7				
214086500	30DI-C01-D280S-EF	32	190	130	97	ID 28,0 DL	ID 28,1 DL	ID 28,2 DL	ID 28,3 DL	ID 28,4 DL	P0500080	UA2.5	P0302856	XT7				
214086800	30DI-C01-D285S-EF	32	190	130	97	ID 28,5 DL	ID 28,6 DL	ID 28,7 DL	ID 28,8 DL	ID 28,9 DL	P0500080	UA2.5	P0302955	XT7				
214087100	30DI-C01-D290S-EF	32	190	130	97	ID 29,0 DL	ID 29,1 DL	ID 29,2 DL	ID 29,3 DL	ID 29,4 DL	P0500080	UA2.5	P0302956	XT7				
214087400	30DI-C01-D295S-EF	32	190	130	97	ID 29,5 DL	ID 29,6 DL	ID 29,7 DL	ID 29,8 DL	ID 29,9 DL	P0500080	UA2.5	P0303055	XT7				
214087700	30DI-C01-D300S-EF	32	200	140	105	ID 30,0 DL	ID 30,1 DL	ID 30,2 DL	ID 30,3 DL	ID 30,4 DL	P0600080	UA3.0	P0403055	XT9				
214088000	30DI-C01-D305S-EF	32	200	140	105	ID 30,5 DL	ID 30,6 DL	ID 30,7 DL	ID 30,8 DL	ID 30,9 DL	P0600080	UA3.0	P0403155	XT9				
214088300	30DI-C01-D310S-EF	32	200	140	105	ID 31,0 DL	ID 31,1 DL	ID 31,2 DL	ID 31,3 DL	ID 31,4 DL	P0600080	UA3.0	P0403156	XT9				
214072100	30DI-C01-D315S-EF	32	200	140	105	ID 31,5 DL	ID 31,6 DL	ID 31,7 DL	ID 31,8 DL	ID 31,9 DL	P0600080	UA3.0	P0403255	XT9				
214088800	30DI-C01-D320S-EF	32	210	150	110	ID 32,0 DL	ID 32,1 DL	ID 32,2 DL	ID 32,3 DL	ID 32,4 DL	P0600080	UA3.0	P0403256	XT9				
214089100	30DI-C01-D325S-EF	32	210	150	110	ID 32,5 DL	ID 32,6 DL	ID 32,7 DL	ID 32,8 DL	ID 32,9 DL	P0600080	UA3.0	P0403355	XT9				
214089400	30DI-C01-D330S-EF	32	210	150	110	ID 33,0 DL	ID 33,1 DL	ID 33,2 DL	ID 33,3 DL	ID 33,4 DL	P0600080	UA3.0	P0403356	XT9				
214089700	30DI-C01-D335S-EF	32	210	150	110	ID 33,5 DL	ID 33,6 DL	ID 33,7 DL	ID 33,8 DL	ID 33,9 DL	P0600080	UA3.0	P0403455	XT9				
214090000	30DI-C01-D340S-EF	40	230	160	118	ID 34,0	ID 34,1	ID 34,2	ID 34,3	ID 34,4	P0800080	UA4.0	-	-				
214090300	30DI-C01-D345S-EF	40	230	160	118	ID 34,5	ID 34,6	ID 34,7	ID 34,8	ID 34,9	P0800080	UA4.0	-	-				
214090600	30DI-C01-D350S-EF	40	230	160	118	ID 35,0	ID 35,1	ID 35,2	ID 35,3	ID 35,4	P0800080	UA4.0	-	-				
214090900	30DI-C01-D355S-EF	40	230	160	118	ID 35,5	ID 35,6	ID 35,7	ID 35,8	ID 35,9	P0800080	UA4.0	-	-				
214091200	30DI-C01-D360S-EF	40	250	180	125	ID 36,0	ID 36,1	ID 36,2	ID 36,3	ID 36,4	P0800080	UA4.0	-	-				
214091500	30DI-C01-D365S-EF	40	250	180	125	ID 36,5	ID 36,6	ID 36,7	ID 36,8	ID 36,9	P0800080	UA4.0	-	-				
214091800	30DI-C01-D370S-EF	40	250	180	125	ID 37,0	ID 37,1	ID 37,2	ID 37,3	ID 37,4	P0800080	UA4.0	-	-				
214092100	30DI-C01-D375S-EF	40	250	180	125	ID 37,5	ID 37,6	ID 37,7	ID 37,8	ID 37,9	P0800080	UA4.0	-	-				
214092400	30DI-C01-D380S-EF	40	250	180	132	ID 38,0	ID 38,1	ID 38,2	ID 38,3	ID 38,4	P0800080	UA4.0	-	-				
214092700	30DI-C01-D385S-EF	40	250	180	132	ID 38,5	ID 38,6	ID 38,7	ID 38,8	ID 38,9	P0800080	UA4.0	-	-				
214093000	30DI-C01-D390S-EF	40	250	180	132	ID 39,0	ID 39,1	ID 39,2	ID 39,3	ID 39,4	P0800080	UA4.0	-	-				
214093300	30DI-C01-D395S-EF	40	250	180	132	ID 39,5	ID 39,6	ID 39,7	ID 39,8	ID 39,9	P0800080	UA4.0	-	-				
214093600	30DI-C01-D400S-EF	40	270	200	138	ID 40,0	ID 40,1	ID 40,2	ID 40,3	ID 40,4	P0800080	UA4.0	-	-				
214093900	30DI-C01-D405S-EF	40	270	200	138	ID 40,5	ID 40,6	ID 40,7	ID 40,8	ID 40,9	P0800080	UA4.0	-	-				
214094200	30DI-C01-D410S-EF	40	270	200	138	ID 41,0	ID 41,1	ID 41,2	ID 41,3	ID 41,4	P0800080	UA4.0	-	-				
214094500	30DI-C01-D415S-EF	40	270	200	138	ID 41,5	ID 41,6	ID 41,7	ID 41,8	ID 41,9	P0800080	UA4.0	-	-				
214094800	30DI-C01-D420S-EF	40	270	200	145	ID 42,0	ID 42,1	ID 42,2	ID 42,3	ID 42,4	P0800080	UA4.0	-	-				
214095100	30DI-C01-D425S-EF	40	270	200	145	ID 42,5	ID 42,6	ID 42,7	ID 42,8	ID 42,9	P0800080	UA4.0	-	-				
214095400	30DI-C01-D430S-EF	40	270	200	145	ID 43,0	ID 43,1	ID 43,2	ID 43,3	ID 43,4	P0800080	UA4.0	-	-				
214095700	30DI-C01-D435S-EF	40	270	200	145	ID 43,5	ID 43,6	ID 43,7	ID 43,8	ID 43,9	P0800080	UA4.0	-	-				
214096000	30DI-C01-D440S-EF	40	280	210	153	ID 44,0	ID 44,1	ID 44,2	ID 44,3	ID 44,4	P0800080	UA4.0	-	-				
214096300	30DI-C01-D445S-EF	40	280	210	153	ID 44,5	ID 44,6	ID 44,7	ID 44,8	ID 44,9	P0800080	UA4.0	-	-				
214096600	30DI-C01-D450S-EF	40	280	210	153	ID 45,0	ID 45,1	ID 45,2	ID 45,3	ID 45,4	P0800080	UA4.0	-	-				
214096900	30DI-C01-D455S-EF	40	280	210	153	ID 45,5	ID 45,6	ID 45,7	ID 45,8	ID 45,9	P0800080	UA4.0	-	-				
214097200	30DI-C01-D460S-EF	40	280	210	160	ID 46,0	ID 46,1	ID 46,2	ID 46,3	ID 46,4	P0800080	UA4.0	-	-				
214097500	30DI-C01-D465S-EF	40	280	210	160	ID 46,5	ID 46,6	ID 46,7	ID 46,8	ID 46,9	P0800080	UA4.0	-	-				
214097800	30DI-C01-D470S-EF	40	280	210	160	ID 47,0	ID 47,1	ID 47,2	ID 47,3									

FORET POUR INDUSTRIE PETROLIERE

DRILL FOR OIL INDUSTRY

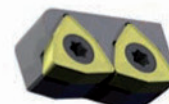
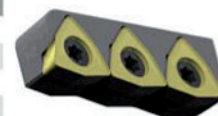
ORDER CODE	REF. PALBIT	D	Ds	D1	L1	L	PILOT DRILL	CARTRIDGE	INSERT	SCREW	DRIVER	STOCK
214031000	MDO 13500450	45-50	13	28	50	85	MDP 3510	MDC 450-I/O	WC..030204	S-22045	XT06	
214031100	MDO 13500500	50-55	13	28	50	85	MDP 3510	MDC 500-I/O	WC..030204	S-22045	XT06	
214031200	MDO 16600550	55-60	16	32	60	100	MDP 3812	MDC 550-I/O	WC..040204	S-25055	XT06	
214031300	MDO 16600600	60-65	16	32	60	100	MDP 3812	MDC 600-I/O	WC..050308	S-30070	XT06	
214031500	MDO 16600650	65-70	16	32	60	100	MDP 3812	MDC 650-I/O	WC..050308	S-30070	XT06	
214032400	MDO 22700700	70-75	22	40	70	115	MDP 3812	MDC 700-I/O	WC..050308	S-30070	XT06	
214032500	MDO 22700750	75-80	22	40	70	115	MDP 4516	MDC 750-I/O	WC..06T308	S-35090	XT15	
214032600	MDO 22700800	80-85	22	40	70	115	MDP 4516	MDC 800-I/O	WC..06T308	S-35090	XT15	
214032700	MDO 27700850	85-90	27	48	70	120	MDP 4516	MDC 850-I/O	WC..06T308	S-35090	XT15	
214032800	MDO 27700900	90-95	27	48	70	120	MDP 4516	MDC 900-I/O	WC..06T308	S-35090	XT15	
214032900	MDO 27700950	95-100	27	48	70	120	MDP 4516	MDC 950-I/O	WC..06T308	S-35090	XT15	
214033000	MDO 32580100	100-105	32	58	80	130	MDP 4520	MDC 100-I/O	WC..050308	S-30070	XT08	
214066400	MDO 32580105	105-110	32	58	80	130	MDP 4520	MDC 105-I/O	WC..06T308	S-35090	XT15	
214066500	MDO 32580110	110-115	32	58	80	130	MDP 4520	MDC 110-I/O	WC..06T308	S-35090	XT15	
214066600	MDO 40700115	115-120	40	70	90	145	MDP 4520	MDC 115-I/O	WC..06T308	S-35090	XT15	
214066700	MDO 40700120	120-125	40	70	90	145	MDP 5625	MDC 120-I/O	WC..06T308	S-35090	XT15	
214066800	MDO 40700125	125-130	40	70	90	145	MDP 5625	MDC 125-I/O	WC..06T308	S-35090	XT15	
214066900	MDO 40700130	130-135	40	70	90	145	MDP 5625	MDC 130-I/O	WC..06T308	S-35090	XT15	
214067000	MDO 40700135	135-140	40	70	90	145	MDP 5625	MDC 135-I/O	WC..06T308	S-35090	XT15	
214067100	MDO 50800140	140-150	50	80	100	160	MDP 5625	MDC 140-I/O	WC..080408	S-40110	XT15	
214067200	MDO 50800150	150-160	50	80	100	160	MDP 5625	MDC 150-I/O	WC..080408	S-40110	XT15	
214067300	MDO 50800160	160-170	50	80	100	160	MDO 6830	MDC 160-I/O	WC..080408	S-40110	XT15	
214067400	MDO 50800170	170-180	50	80	100	160	MDO 6830	MDC 170-I/O	WC..080408	S-40110	XT15	



FORET POUR INDUSTRIE PETROLIERE – CARTOUCHES

DRILL FOR OIL INDUSTRY - CARTRIDGE

ORDER CODE	DRILLING RANGE	REF. PALBIT		INSERT	NO. OF INSERTS	SCREW	DRIVER	STOCK
		INNER	OUTER					
	45-50	MDC 450-I	MDC 450-O	WC..030204	2	S-22045	XT06	
	50-55	MDC 500-I	MDC 500-O	WC..030204	2	S-22045	XT06	
	55-60	MDC 550-I	MDC 550-O	WC..040204	2	S-25055	XT08	
	60-65	MDC 600-I	MDC 600-O	WC..050308	2	S-30070	XT08	
	65-70	MDC 650-I	MDC 650-O	WC..050308	2	S-30070	XT08	
	70-75	MDC 700-I	MDC 700-O	WC..050308	2	S-30070	XT08	
	75-80	MDC 750-I	MDC 750-O	WC..06T308	2	S-35090	XT15	
	80-85	MDC 800-I	MDC 800-O	WC..06T308	2	S-35090	XT15	
	85-90	MDC 850-I	MDC 850-O	WC..06T308	2	S-35090	XT15	
	90-95	MDC 900-I	MDC 900-O	WC..06T308	2	S-35090	XT15	
	95-100	MDC 950-I	MDC 950-O	WC..06T308	2	S-35090	XT15	
	100-105	MDC 100-I	MDC 100-O	WC..050308	3	S-30070	XT08	
	105-110	MDC 105-I	MDC 105-O	WC..06T308	3	S-35090	XT15	
	110-115	MDC 110-I	MDC 110-O	WC..06T308	3	S-35090	XT15	
	115-120	MDC 115-I	MDC 115-O	WC..06T308	3	S-35090	XT15	
	120-125	MDC 120-I	MDC 120-O	WC..06T308	3	S-35090	XT15	
	125-130	MDC 125-I	MDC 125-O	WC..06T308	3	S-35090	XT15	
	130-135	MDC 130-I	MDC 130-O	WC..06T308	3	S-35090	XT15	
	135-140	MDC 135-I	MDC 135-O	WC..06T308	3	S-35090	XT15	
	140-150	MDC 140-I	MDC 140-O	WC..080408	3	S-40110	XT15	
	150-160	MDC 150-I	MDC 150-O	WC..080408	3	S-40110	XT15	
	160-170	MDC 160-I	MDC 160-O	WC..080408	3	S-40110	XT15	
	170-180	MDC 170-I	MDC 170-O	WC..080408	3	S-40110	XT15	



FORET POUR INDUSTRIE PETROLIERE – BAGUE DE GUIDAGE

DRILL FOR OIL INDUSTRY - DRIVE RING

ORDER CODE	REF. PALBIT	D	d	S
290021600	MDR 1028	28	13	10
290021700	MDR 1032	32	16	10
290022100	MDR 1240	40	22	12
290022200	MDR 1248	48	27	12
290022300	MDR 1458	58	32	14
290022400	MDR 1470	70	40	14
290022500	MDR 1650	50	16	16



FORET POUR INDUSTRIE PETROLIERE – FORET PILOTE

DRILL FOR OIL INDUSTRY - PILOT DRILL

ORDER CODE	REF. PALBIT	D	L
214033100	MDP 3510	10	35
214033200	MDP 3812	12	38
214033300	MDP 4516	16	45
214033400	MDP 4520	20	45
214033500	MDP 5625	25	56
214033600	MDP 6830	30	68



PORTE-FORET POUR INDUSTRIE PETROLIERE – QUEUE

DRILL FOR OIL INDUSTRY - SHANK

ORDER CODE	REF. PALBIT	Ds	d	L	D	Ls	B	DRIVE RING	STOCK
211121900	MDS 32115130	32	13	115	28	70	M-08115	MDR 1028	
211084900	MDS 32200130	32	13	200	28	70	M-08115	MDR 1028	
211122000	MDS 32300130	32	13	300	28	70	M-08115	MDR 1028	
211122100	MDS 40125160	40	16	125	32	80	M-08115	MDR 1032	
211085000	MDS 40200160	40	16	200	32	80	M-08115	MDR 1032	
211122200	MDS 40300160	40	16	300	32	80	M-08115	MDR 1032	
211122300	MDS 40148220	40	22	148	40	80	M-10145	MDR 1240	
211122400	MDS 40200220	40	22	200	40	80	M-10145	MDR 1240	
211122500	MDS 40300220	40	22	300	40	80	M-10145	MDR 1240	
211122600	MDS 40168270	40	27	168	48	80	M-12175	MDR 1248	
211122700	MDS 40300270	40	27	300	48	80	M-12175	MDR 1248	
211122800	MDS 40186320	40	32	186	58	80	M-12195	MDR 1458	
211122900	MDS 40300320	40	32	300	58	80	M-12195	MDR 1458	
211123000	MDS 50186400	50	40	186	70	100	M-16260	MDR 1470	
211123100	MDS 50300400	50	40	300	70	100	M-16260	MDR 1470	
211123200	MDS 50184500	50	50	184	80	100	M-16260	MDR 1650	
211123300	MDS 50300500	50	50	300	80	100	M-16260	MDR 1650	

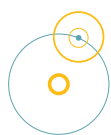
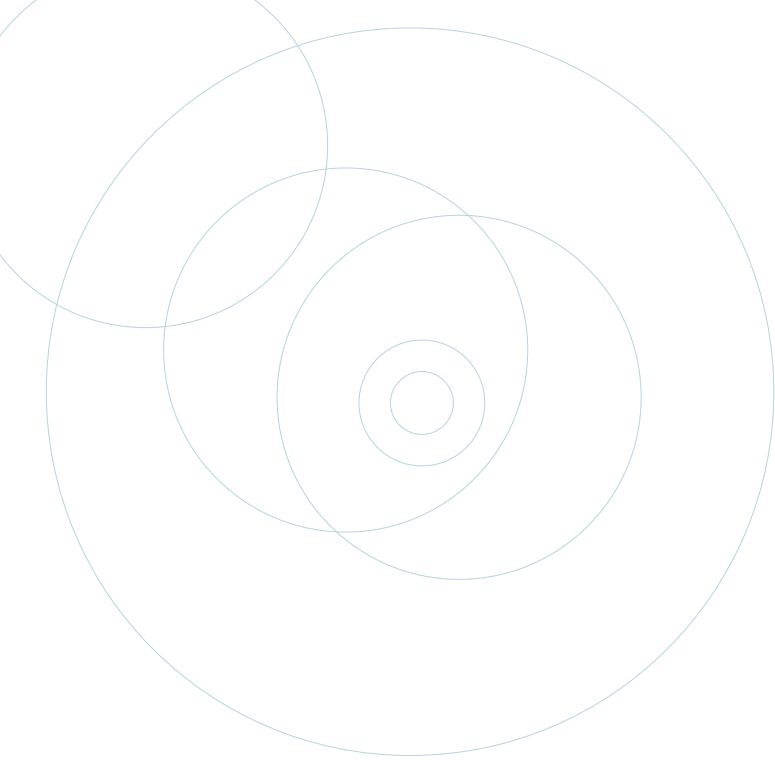


PORTE-FORET POUR INDUSTRIE PETROLIERE – RALLONGE

DRILL FOR OIL INDUSTRY - EXTENSION

ORDER CODE	REF. PALBIT	Ds	d	L	Ds	B	DRIVE RING	STOCK
290023500	MDE 13115280	28	13	115	13	M-08115	MDR 1028	
290023600	MDE 13150280	28	13	150	13	M-08115	MDR 1028	
290023700	MDE 13200280	28	13	200	13	M-08115	MDR 1028	
290021800	MDE 13300280	28	13	300	13	M-08115	MDR 1028	
290023800	MDE 16115320	32	16	115	16	M-08115	MDR 1032	
290021900	MDE 16200320	32	16	200	16	M-08115	MDR 1032	
290023900	MDE 16300320	32	16	300	16	M-08115	MDR 1032	
290024000	MDE 22113400	40	22	113	22	M-10145	MDR 1240	
290024100	MDE 22200400	40	22	200	22	M-10145	MDR 1240	
290024200	MDE 22300400	40	22	300	22	M-10145	MDR 1240	
290024300	MDE 27113480	48	27	113	27	M-12175	MDR 1248	
290024400	MDE 27200480	48	27	200	27	M-12175	MDR 1248	
290024500	MDE 27300480	48	27	300	27	M-12175	MDR 1248	
290024600	MDE 32186580	58	32	186	32	M-12195	MDR 1458	
290024700	MDE 32300580	58	32	300	32	M-12195	MDR 1458	
290024800	MDE 40186700	70	40	186	40	M-16260	MDR 1470	
29002900	MDE 40300700	70	40	300	40	M-16260	MDR 1470	
290025000	MDE 40500700	70	40	500	40	M-16260	MDR 1470	
290025100	MDE 5020480	80	50	204	50	M-16260	MDR 1650	
290025200	MDE 50300800	80	50	300	50	M-16260	MDR 1650	
290025300	MDE 50500800	80	50	500	50	M-16260	MDR 1650	





STEMATOOLS
QUALITY TOOLS FOR PROFESSIONALS

Chaussée de Wavre 362
1390 Grez-Doiceau
Belgique

T. + 32 (0)2 361 25 80
F. + 32 (0)2 360 11 22
info@stematools.be

www.stematools.com

